

■ General Description

The AME5268 is a fixed frequency monolithic synchronous buck regulator that accepts input voltage from 4.75V to 28V. Two NMOS switches with low on-resistance are integrated on the die. Current mode topology is used for fast transient response and good loop stability.

Shutdown mode reduces the input supply current to less than 1 μ A. An adjustable soft-start prevents inrush current at turn-on.

This device is available in SOP-8/PP package with exposed pad for low thermal resistance.

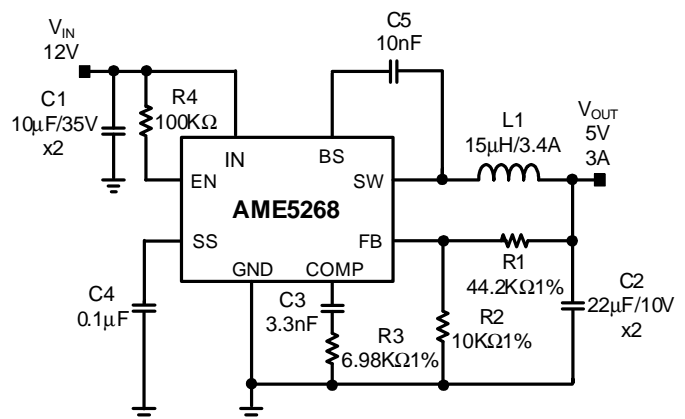
■ Applications

- Distributed Power System
- Networking System
- FPGA, DSP, ASIC Power Supplies
- Notebook Computers

■ Features

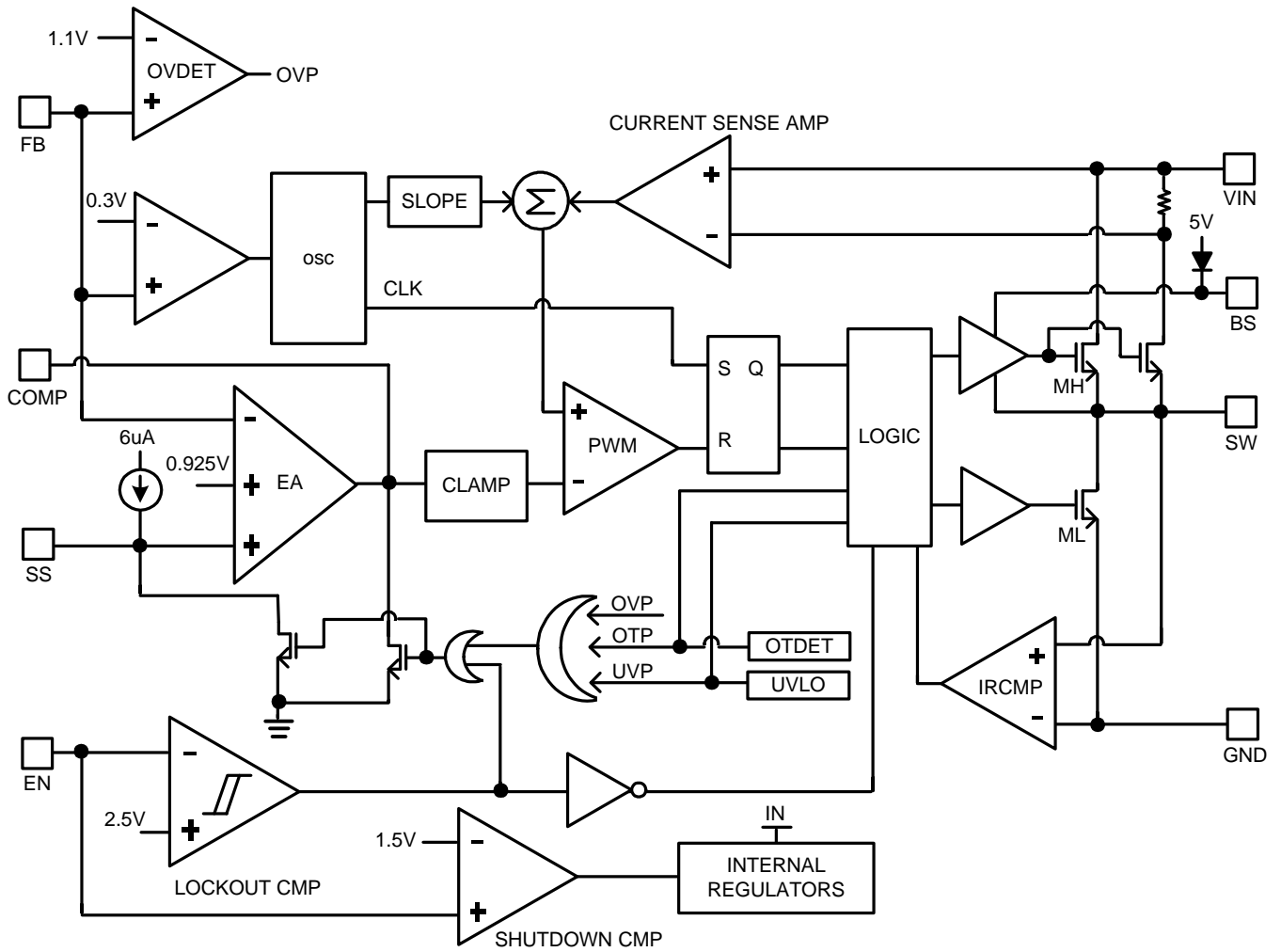
- 3A Output Current
- Wide 4.75V to 28V Operating Input Range
- Integrated Power MOSFET Switches
- Output Adjustable from 0.925V to 25V
- Up to 95% Efficiency
- Programmable Soft Start
- Stable with Low ESR Ceramic Output Capacitors
- Cycle-by Cycle Over Current Protection
- Fixed 340KHz Frequency
- Input Under Voltage Lockout
- System Protected by Over-current Limiting, Over-voltage Protection and Thermal Shut-down
- Thermally Enhanced SOP-8/PP Package
- Green Products Meet RoHS Standards

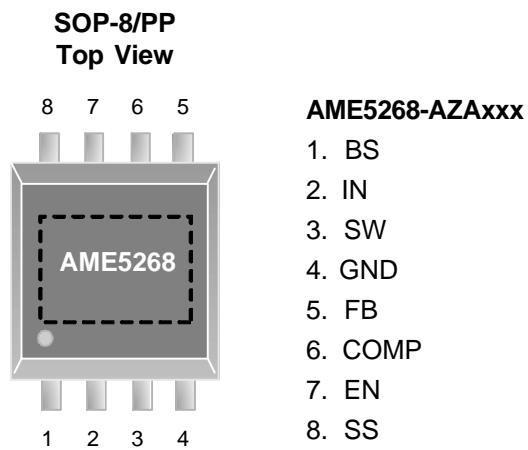
■ Typical Application



AME5268

■ Functional Block Diagram



■ Pin Configuration

**Die Attach:
Conductive Epoxy**

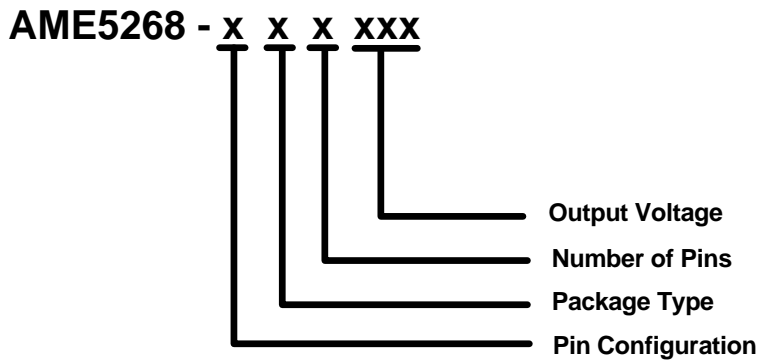
Note:

The area enclosed by dashed line represents Exposed Pad and connect to GND.



■ Pin Description

Pin Number	Pin Name	Pin Description
1	BS	High-Side Gate Drive Boost Input. BS supplies the drive for the high-side N-Channel MOSFET switch. Connect a 10nF or greater capacitor from SW to BS to power the high side switch.
2	IN	Power Input. IN supplies the power to the IC, as well as the step-down converter switches. Drive IN with a 4.75V to 28V power source. Bypass IN to GND with a suitable large capacitor to eliminate noise on the input to the IC.
3	SW	Power Switching Output. SW is the switching node that supplies power to the output. Connect the output LC filter from SW to the output load. Note that a capacitor is required from SW to BS to power the high-side switch.
4	GND	Ground. Connect the exposed pad to pin 4.
5	FB	Feedback Input. FB senses the output voltage to regulate that voltage. Drive FB with a resistive voltage divider from the output voltage. The feedback reference voltage is 0.925V.
6	COMP	Compensation Node. COMP is used to compensate the regulation control loop. Connect a series RC network from COMP to GND to compensate the regulation control loop. In some cases, an additional capacitor from COMP to GND is required.
7	EN	Enable Input. EN is a digital input that turns the regulator on or off. Drive EN higher than 2.7V to turn on the regulator, drive it lower than 1.1V to turn it off. Pull up to the IN pin with 100KΩ resistor for automatic start up.
8	SS	Soft-start Control Input. SS controls the soft-start period. Connect a capacitor from SS to GND to set the soft-start period. Add a 0.1μF capacitor set the soft-start period to 15mS. To disable the soft start feature, leave the SS unconnected.

■ Ordering Information


Pin Configuration	Package Type	Number of Pins	Output Voltage
A 1. BS (SOP-8/PP) 2. IN 3. SW 4. GND 5. FB 6. COMP 7. EN 8. SS	Z: SOP/PP	A: 8	ADJ: Adjustable



AME5268

3A, 28V, 340KHz Synchronous Rectified Step-Down Converter

■ Available Options

Part Number	Marking	Output Voltage	Package	Operating Ambient Temperature Range
AME5268-AZAADJ	A5268 AMyMXX	ADJ	SOP-8/PP	-40°C to +85°C

Note:

1. The first 2 places represent product code. It is assigned by AME such as AM.
2. y is year code and is the last number of a year. Such as the year code of 2008 is 8.
3. A bar on top of first letter represents Green Part such as A5268.
4. The last 3 places MXX represent Marking Code. It contains M as date code in "month", XX as LN code and that is for AME internal use only. Please refer to date code rule section for detail information.
5. Please consult AME sales office or authorized Rep./Distributor for the availability of output voltage and package type.



AME5268

3A, 28V, 340KHz Synchronous Rectified Step-Down Converter

■ Absolute Maximum Ratings

Parameter	Maximum	Unit
Supply Voltage	-0.3V to +30V	V
Switch Voltage	-1V to $V_{IN}+0.3$	V
Boost Switch Voltage	-0.3V to $V_{SW} + 6$	V
All Other Pins	-0.3V to +6	V
EN Voltage	-0.3V to V_{IN}	V
ESD Classification (HBM)	2	kV
ESD Classification (MM)	200	v

■ Recommended Operating Conditions

Parameter	Rating	Unit
Ambient Temperature Range	-40 to +85	°C
Junction Temperature Range	-40 to +125	°C
Storage Temperature Range	-65 to +150	°C



AME5268

**3A, 28V, 340KHz Synchronous
Rectified Step-Down Converter**

■ Thermal Information

Parameter	Package	Die Attach	Symbol	Maximum	Unit
Thermal Resistance* (Junction to Case)	SOP-8/PP	Conductive Epoxy	θ_{JC}	19	°C / W
Thermal Resistance (Junction to Ambient)	SOP-8/PP		θ_{JA}	84	
Internal Power Dissipation	SOP-8/PP		P_D	1450	mW
Maximum Junction Temperature				150	°C
Solder Iron(10 Sec)**				350	

* Measure θ_{JC} on backside center of Exposed Pad.

** MIL-STD-202G 210F

■ Electrical Specifications
 $V_{IN} = 12V, T_A = 25^{\circ}C$, unless otherwise noted.

Parameter	Symbol	Test Condition	Min	Typ	Max	Units
Shutdown Current	I_{SHDN}	$V_{EN} = 0V$		1	3.0	μA
Supply Current		$V_{EN} = 3V, V_{FB} = 1.2V$		1.3	1.5	mA
Feedback Voltage	V_{FB}	$4.75V \leq V_{IN} \leq 28V$	0.90	0.925	0.95	V
OVP Threshold Voltage				1.10		V
Error Amplifier Voltage Gain	A_{EA}			400		V/V
Error Amplifier Transconductance	G_{EA}	$\Delta IC = \pm 10\mu A$		800		$\mu A/V$
High-side Switch On Resistance	$R_{DS,ON,HI}$			135		m Ω
Low-side Switch On Resistance	$R_{DS,ON,LO}$			105		m Ω
Switch Leakage Current	$I_{SW,LK}$	$V_{EN} = 0V, V_{SW} = 0V$			10	μA
High-side Switch Current Limit		Minimum Duty Cycle	4	5.8		A
Low-side Switch Current Limit		From Drain to Source		1.25		A
COMP to Current Sense Transconductance	G_{CS}			5.2		A/V
Current Limit Oscillation Frequency	$f_{OSC,CL}$	$T_A = 25^{\circ}C$	300	340	380	KHz
		$-40^{\circ}C \leq T_A \leq +85^{\circ}C$	270		400	KHz
Short Circuit Oscillation Frequency	$f_{OSC,SCR}$	$V_{FB} = 0V$		116		KHz
Maximum Duty Cycle	D_{MAX}	$V_{FB} = 0.8V$		90		%
Minimum On Time	$t_{ON,MIN}$			220		nS
Input Undervoltage Lockout	V_{UVLO}	V_{IN} rising, $T_A = 25^{\circ}C$	3.8	4.05	4.3	V
		$-40^{\circ}C \leq T_A \leq +85^{\circ}C$	3.5		4.7	V
Input Undervoltage Lockout Hysteresis	$V_{UVLO,HYST}$			210		mV
Soft-Start Current Source	I_{SS}	$V_{SS} = 0V$		6		μA
Soft-Start Period	t_{SS}	$C_{SS} = 0.1\mu F$		15		mS
EN Lockout Threshold Voltage	V_{EN}	$T_A = 25^{\circ}C$	2.2	2.5	2.7	V
		$-40^{\circ}C \leq T_A \leq +85^{\circ}C$	2.2		2.7	V



AME5268

3A, 28V, 340KHz Synchronous Rectified Step-Down Converter

■ Electrical Specifications (Contd.)

$V_{IN} = 12V$, $T_A = 25^{\circ}C$, unless otherwise noted.

Parameter	Symbol	Test Condition	Min	Typ	Max	Units
EN Shutdown Threshold Voltage		V_{EN} Rising	1.1	1.56	2	V
EN Shutdown Threshold Voltage Hysteresis				210		mV
EN Lockout Hysteresis				210		mV
Thermal Shutdown Temperature	OTP	Shutdown, temperature increasing		160		$^{\circ}C$
Thermal Shutdown Hysteresis	OTH	Restore, temperature decreasing		20		$^{\circ}C$

■ Detailed Description

Oscillator Frequency

The internal free running oscillator sets the PWM frequency at 340KHz.

Enable and Soft start

The EN Pin provides electrical on/off control of the regulator. Once the EN pin voltage exceeds the lockout threshold voltage, the regulator starts operation and the soft start begins to ramp. If the EN pin voltage is pulled below the lockout threshold voltage, the regulator stops switching and the soft start resets. Connecting the pin to ground or to any voltage less than 1.1V will disable the regulator and activate the shutdown mode. To limit the start-up inrush current, a soft-start circuit is used to ramp up the reference voltage from 0V to its final value, linearly. The soft-start time is 15 ms typically.

Under Voltage Lockout (UVLO)

The AME5268 incorporates an under voltage lockout circuit to keep the device disabled when V_{IN} (the input voltage) is below the UVLO start threshold voltage. During power up, internal circuits are held inactive and the soft start is grounded until V_{IN} exceeds the UVLO start threshold voltage. Once the UVLO start threshold voltage is reached, the soft start is released and device start-up begins. The device operates until V_{IN} falls below the UVLO stop threshold voltage. The typical hysteresis in the UVLO comparator is 210mV.

Over-Current Protection

Overcurrent limiting is implemented by monitoring the current through the high side MOSFET. If this current exceeds the over-current threshold limit, the overcurrent indicator is set true. The system will ignore the over-current indicator for the leading edge blanking time at the beginning of each cycle to avoid any turn-on noise glitches.

Once overcurrent indicator is set true. The high-side MOSFET is turned off for the rest of the cycle after a propagation delay. This over-current limiting mode is called cycle-by-cycle current limiting.

Over-voltage Protection

The AME5268 has an over-voltage protection (OVP) circuit to minimize voltage overshoot when recovering from output fault conditions. The OVP circuit include an over-voltage comparator to compare the FB pin voltage and a threshold of $120\% \times V_{FB}$. Once the FB pin voltage is higher than the threshold, the COMP pin and the SS pin are discharged to GND, forcing the high-side MOSFET off. When the FB pin voltage drops lower than the threshold, the high-side MOSFET will be enabled again.

Thermal Shutdown

The AME5268 protects itself from overheating with an internal thermal shutdown circuit. If the junction temperature exceeds the thermal shutdown trip point, the voltage reference is grounded and the high-side MOSFET is turned off. The part is restarted under control of the soft start circuit automatically when the junction temperature drops 30°C below the thermal shutdown trip point.

Component Selection

Setting the Output Voltage

The output voltage is using a resistive voltage divider connected from the output voltage to FB. It divides the output voltage down to the feedback voltage by the ratio:

$$V_{FB} = V_{OUT} \frac{R_2}{R_1 + R_2}$$

the output voltage is:

$$V_{OUT} = 0.925 \times \frac{R_1 + R_2}{R_2}$$

■ Detailed Description (Contd.)

Inductor

The inductor is required to supply constant current to the load while being driven by the switched input voltage. A larger value inductor will have a larger physical size, higher series resistance, and lower saturation current. It will result in less ripple current that will in turn result in lower output ripple voltage. Make sure that the peak inductor current is below the maximum switch current limit. Determine inductance is to allow the peak-to-peak ripple current to be approximately 30% of the maximum switch current limit. The inductance value can be calculated by:

$$L = \frac{V_{OUT}}{f_s \times \Delta I_L} \times \left(1 - \frac{V_{OUT}}{V_{IN}}\right)$$

Where f_s is the switching frequency, V_{IN} is the input voltage, V_{OUT} is the output voltage, and ΔI_L is the peak-to-peak inductor ripple current. Choose an inductor that will not saturate under the maximum inductor peak current, calculated by:

$$I_{LP} = I_{LOAD} + \frac{V_{OUT}}{2 \times f_s \times L} \times \left(1 - \frac{V_{OUT}}{V_{IN}}\right)$$

Where I_{LOAD} is the load current. The choice of which style inductor to use mainly depends on the price vs. size requirements and any EMI constraints.

Input Capacitor

The input current to the step-down converter is discontinuous, therefore a capacitor is required to supply the AC current while maintaining the DC input voltage. Use low ESR capacitors for the best performance. Ceramic capacitors are preferred, but tantalum or low-ESR electrolytic capacitors will also be suggested. Choose X5R or X7R dielectrics when using ceramic capacitors. Since the input capacitor (C1) absorbs the input switching current, it requires an adequate ripple current rating. The RMS current in the input capacitor can be estimated by:

$$I_{C1} = I_{LOAD} \times \sqrt{\frac{V_{OUT}}{V_{IN}} \times \left(1 - \frac{V_{OUT}}{V_{IN}}\right)}$$

At $V_{IN} = 2V_{OUT}$, where $IC1 = I_{LOAD}/2$ is the worst-case condition occurs. For simplification, use an input capacitor with a RMS current rating greater than half of the maximum load current. When using ceramic capacitors, make sure that they have enough capacitance to provide sufficient charge to prevent excessive voltage ripple at input. When using electrolytic or tantalum capacitors, a high quality, small ceramic capacitor, i.e. 0.1 μ F, should be placed as close to the IC as possible. The input voltage ripple for low ESR capacitors can be estimated by:

$$\Delta V_{IN} = \frac{I_{LOAD}}{C1 \times f_s} \times \frac{V_{OUT}}{V_{IN}} \times \left(1 - \frac{V_{OUT}}{V_{IN}}\right)$$

Where C1 is the input capacitance value.

Output Capacitor

The output capacitor (C2) is required to maintain the DC output voltage. Ceramic, tantalum, or low ESR electrolytic capacitors are recommended. Low ESR capacitors are preferred to keep the output voltage ripple low. The output voltage ripple can be estimated by:

$$\Delta V_{OUT} = \frac{V_{OUT}}{f_s \times L} \times \left(1 - \frac{V_{OUT}}{V_{IN}}\right) \times \left(R_{ESR} + \frac{1}{8 \times f_s \times C2}\right)$$

Where R_{ESR} is the equivalent series resistance (ESR) value of the output capacitor and C2 is the output capacitance value.

When using ceramic capacitors, the impedance at the switching frequency is dominated by the capacitance which is the main cause for the output voltage ripple. For simplification, the output voltage ripple can be estimated by:

$$\Delta V_{OUT} = \frac{V_{OUT}}{8 \times f_s^2 \times L \times C2} \times \left(1 - \frac{V_{OUT}}{V_{IN}}\right)$$

When using tantalum or electrolytic capacitors, the ESR dominates the impedance at the switching frequency. For simplification, the output ripple can be approximated to:

$$\Delta V_{OUT} = \frac{V_{OUT}}{f_s \times L} \times \left(1 - \frac{V_{OUT}}{V_{IN}}\right) \times R_{ESR}$$

The characteristics of the output capacitor also affect the stability of the regulation system. The AME5268 can be optimized for a wide range of capacitance and ESR values.

■ Detailed Description (Contd.)

Compensation Components

AME5268 has current mode control for easy compensation and fast transient response. The system stability and transient response are controlled through the C_{OMP} pin. C_{OMP} is the output of the internal transconductance error amplifier. A series capacitor-resistor combination sets a pole-zero combination to govern the characteristics of the control system. The DC gain of the voltage feedback loop is given by:

$$A_{VDC} = R_{LOAD} \times G_{CS} \times A_{EA} \times \frac{V_{FB}}{V_{OUT}}$$

Where V_{FB} is the feedback voltage (0.925V), A_{VEA} is the error amplifier voltage gain, G_{CS} is the current sense transconductance and R_{LOAD} is the load resistor value. The system has two poles of importance. One is due to the output capacitor and the load resistor, and the other is due to the compensation capacitor (C3) and the output resistor of the error amplifier. These poles are located at:

$$f_{P1} = \frac{G_{EA}}{2p \times C3 \times A_{VEA}}$$

$$f_{P2} = \frac{1}{2p \times C2 \times R_{LOAD}}$$

Where G_{EA} is the error amplifier transconductance. The system has one zero of importance, due to the compensation capacitor (C3) and the compensation resistor (R3). This zero is located at:

$$f_{Z1} = \frac{1}{2p \times C3 \times R3}$$

The system may have another zero of importance, if the output capacitor has a large capacitance and/or a high ESR value. The zero, due to the ESR and capacitance of the output capacitor, is located at:

$$f_{ESR} = \frac{1}{2p \times C2 \times R_{ESR}}$$

In this case, a third pole set by the compensation capacitor (C6) and the compensation resistor (R3) is used to compensate the effect of the ESR zero on the loop gain. This pole is located at:

$$f_{P3} = \frac{1}{2p \times C6 \times R3}$$

The goal of compensation design is to shape the converter transfer function to get a desired loop gain. The system crossover frequency where the feedback loop has the unity gain is important. Lower crossover frequencies result in slower line and load transient responses, while higher crossover frequencies could cause system instability. A good standard is to set the crossover frequency below one-tenth of the switching frequency. To optimize the compensation components, the following procedure can be used.

1. Choose the compensation resistor (R3) to set the desired crossover frequency.

Determine R3 by the following equation:

$$R3 = \frac{2p \times C2 \times fc}{G_{EA} \times G_{CS}} \times \frac{V_{OUT}}{V_{FB}} < \frac{2p \times C2 \times 0.1 \times fs}{G_{EA} \times G_{CS}} \times \frac{V_{OUT}}{V_{FB}}$$

Where f_c is the desired crossover frequency which is typically below one tenth of the switching frequency.

2. Choose the compensation capacitor (C3) to achieve the desired phase margin. For applications with typical inductor values, setting the compensation zero (f_{Z1}) below one-fourth of the crossover frequency provides sufficient phase margin.

Determine C3 by the following equation:

$$C3 > \frac{4}{2p \times R3 \times fc}$$

Where R3 is the compensation resistor.

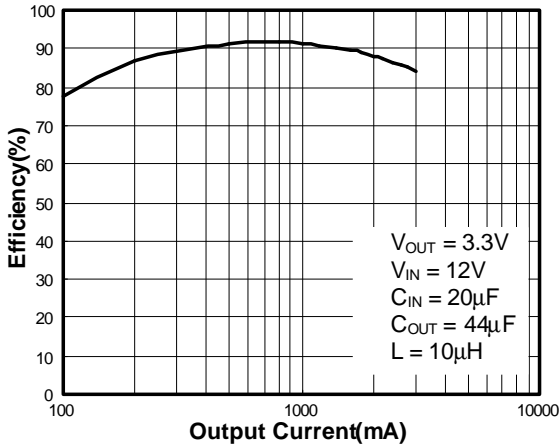
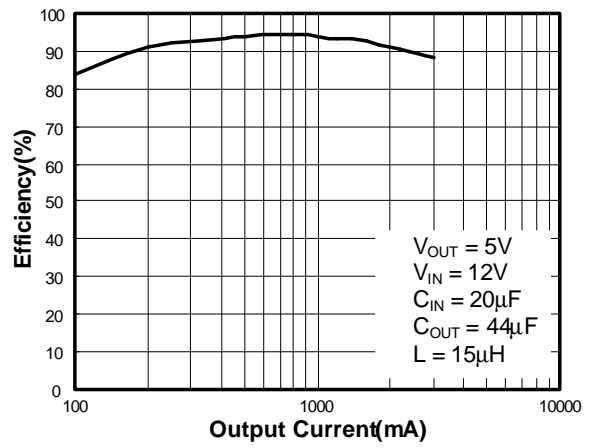
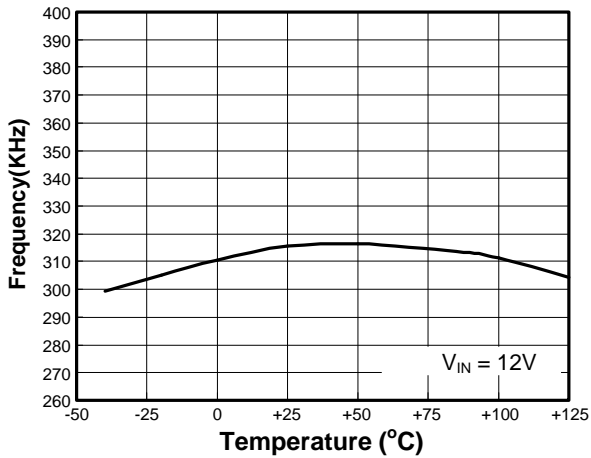
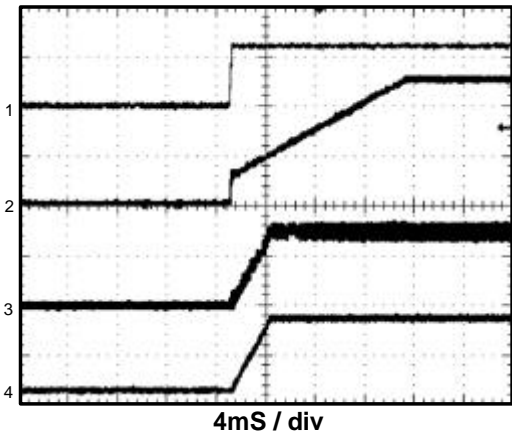
■ Detailed Description (Contd.)

3. Determine if the second compensation capacitor (C6) is required. It is required if the ESR zero of the output capacitor is located at less than half of the switching frequency, or the following relationship is valid:

$$\frac{1}{2p \times C2 \times R_{ESR}} < \frac{f_s}{2}$$

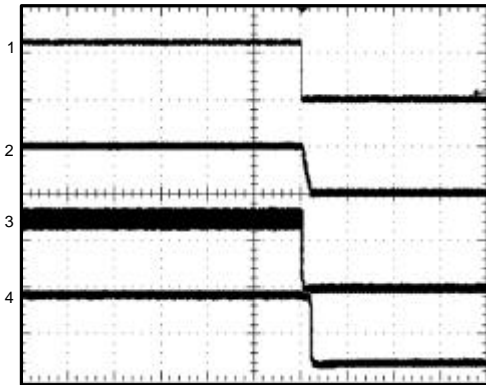
If this is the case, then add the second compensation capacitor (C6) to set the pole fP3 at the location of the ESR zero. Determine C6 by the equation:

$$C6 = \frac{C2 \times R_{ESR}}{R3}$$

■ Characterization Curve
Efficiency vs. Output Current

Efficiency vs. Output Current

Frequency vs. Temperature

Start-Up form EN


$V_{IN} = 12V$
 $V_{OUT} = 5V$
 $I_{OUT} = 3000mA$
 $C_{SS} = 0.1\mu F$

- 1) EN = 5V/div
- 2) $V_{OUT} = 2V/div$
- 3) $I_L = 2A/div$
- 4) $I_{OUT} = 2A/div$

■ Characterization Curve
Power Off from EN


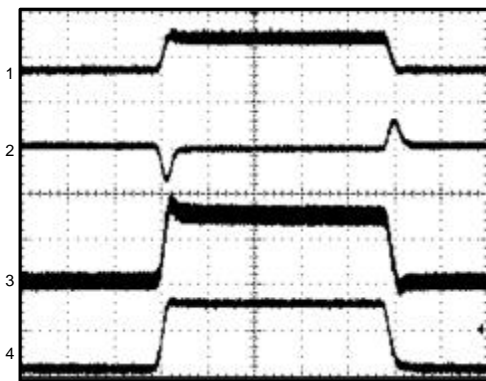
$V_{IN} = 12V$
 $V_{OUT} = 5V$
 $I_{OUT} = 3000mA$
 $C_{SS} = 0.1\mu F$

- 1) $V_{EN} = 5V/div$
- 2) $V_{OUT} = 5V/div$
- 3) $I_L = 2A/div$
- 4) $I_{OUT} = 2A/div$

Load Step


$V_{IN} = 12V$
 $V_{OUT} = 3.3V$
 $I_{OUT} = 0mA \text{ to } 3000mA$
 $C_{SS} = 470pF, T_A = 25^\circ C$

- 1) $V_{COMP} = 1V/div$
- 2) $V_{OUT} = 500mV/div$
- 3) $I_L = 2A/div$
- 4) $I_{OUT} = 2A/div$

Load Step


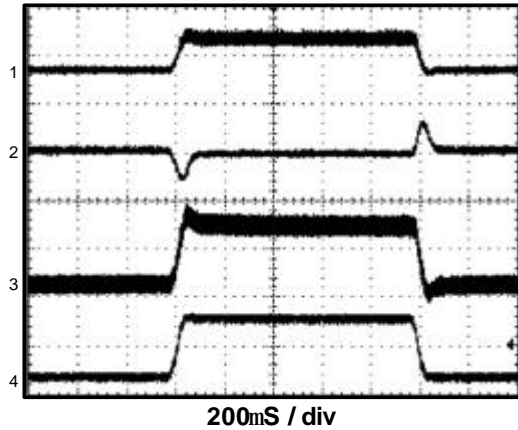
$V_{IN} = 12V$
 $V_{OUT} = 5V$
 $I_{OUT} = 0mA \text{ to } 3000mA$
 $C_{SS} = 470pF, T_A = 25^\circ C$

- 1) $V_{COMP} = 1V/div$
- 2) $V_{OUT} = 500mV/div$
- 3) $I_L = 2A/div$
- 4) $I_{OUT} = 2A/div$

Load Step

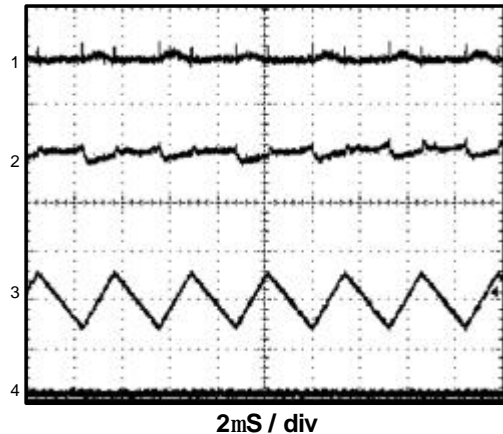

$V_{IN} = 12V$
 $V_{OUT} = 3.3V$
 $I_{OUT} = 500mA \text{ to } 3000mA$
 $C_{SS} = 470pF, T_A = 25^\circ C$

- 1) $V_{COMP} = 1V/div$
- 2) $V_{OUT} = 500mV/div$
- 3) $I_L = 2A/div$
- 4) $I_{OUT} = 2A/div$

■ Characterization Curve
Load Step


$V_{IN} = 12V$
 $V_{OUT} = 5V$
 $I_{OUT} = 500mA \text{ to } 3000mA$
 $C_{SS} = 470pF, T_A = 25^{\circ}C$

- 1) $V_{COMP} = 1V/div$
- 2) $V_{OUT} = 500mV/div$
- 3) $I_L = 2A/div$
- 4) $I_{OUT} = 2A/div$

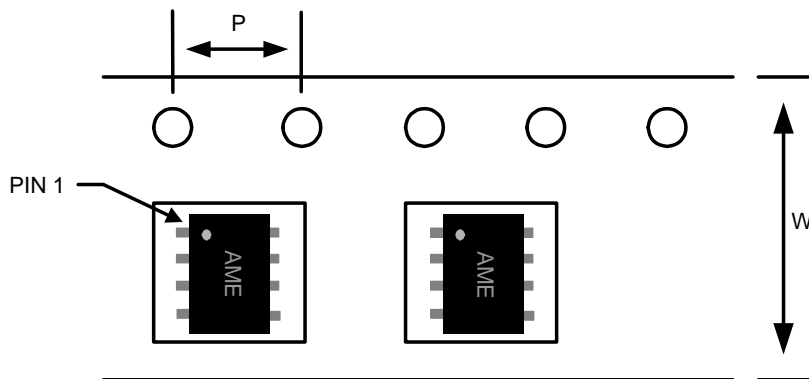
Stead State Test


$V_{IN} = 12V$
 $V_{OUT} = 5V$
 $I_{OUT} = 0mA$
 $C_{SS} = 470pF$

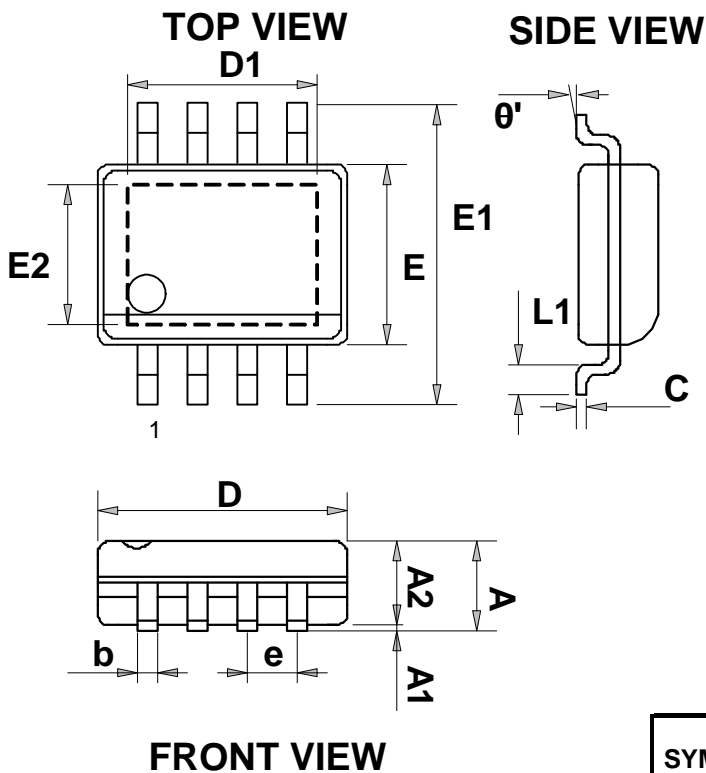
- 1) $V_{IN} = 50V/div$
- 2) $V_{COMP} = 20mV/div$
- 3) $I_L = 500mA/div$
- 4) $I_{OUT} = 500mA/div$

AME5268
■ Date Code Rule

Month Code	
1: January	7: July
2: February	8: August
3: March	9: September
4: April	A: October
5: May	B: November
6: June	C: December

■ Tape and Reel Dimension
SOP-8/PP

Carrier Tape, Number of Components Per Reel and Reel Size

Package	Carrier Width (W)	Pitch (P)	Part Per Full Reel	Reel Size
SOP-8/PP	12.0±0.1 mm	4.0±0.1 mm	2500pcs	330±1 mm

■ Package Dimension
SOP-8/PP


SYMBOLS	MILLIMETERS		INCHES	
	MIN	MAX	MIN	MAX
A	1.350	1.750	0.053	0.069
A1	0	0.150	0	0.006
A2	1.350	1.600	0.053	0.063
C	0.100	0.250	0.004	0.010
E	3.750	4.150	0.148	0.163
E1	5.700	6.300	0.224	0.248
L1	0.300	1.270	0.012	0.05
b	0.310	0.510	0.012	0.020
D	4.700	5.120	0.185	0.202
e	1.270 BSC		0.05 BSC	
q'	0°	8°	0°	8°
E2	2.150	2.513	0.085	0.099
D1	2.150	3.402	0.085	0.134



www.ame.com.tw
E-Mail: sales@ame.com.tw

Life Support Policy:

These products of AME, Inc. are not authorized for use as critical components in life-support devices or systems, without the express written approval of the president of AME, Inc.

AME, Inc. reserves the right to make changes in the circuitry and specifications of its devices and advises its customers to obtain the latest version of relevant information.

© AME, Inc. , February 2012

Document: 3003-DS5268-B.02

Corporate Headquarter

AME, Inc.

8F, 12, WenHu St., Nei Hu

Taipei, Taiwan. 114

Tel: 886 2 2627-8687

Fax: 886 2 2659-2989