

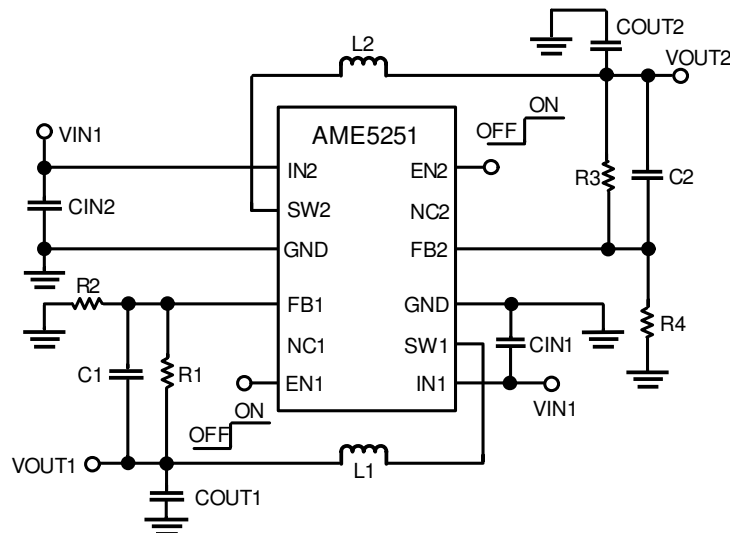
## ■ General Description

The AME5251 is a high efficiency monolithic synchronous dual buck regulator using a constant frequency, current mode architecture. Capable of delivering 1A output current each channel over a wide input voltage range from 2.5V to 5.5V, the AME5251 is ideally suited for single Li-Ion battery powered applications. 100% duty cycle provides low dropout operation, extending battery life in portable systems. Under light load conditions, the AME5251 operates in a power saving mode that consumes just around 20 $\mu$ A of supply current, maximizing battery life in portable applications.

The internal synchronous switch increases efficiency and eliminates the need for an external Schottky diode. Low output voltages are easily supported with the 0.6V feedback reference voltage. The AME5251 is available in small DFN-12A packages.

Other features include soft start, lower internal reference voltage with 2% accuracy, over temperature protection, and over current protection.

## ■ Typical Application

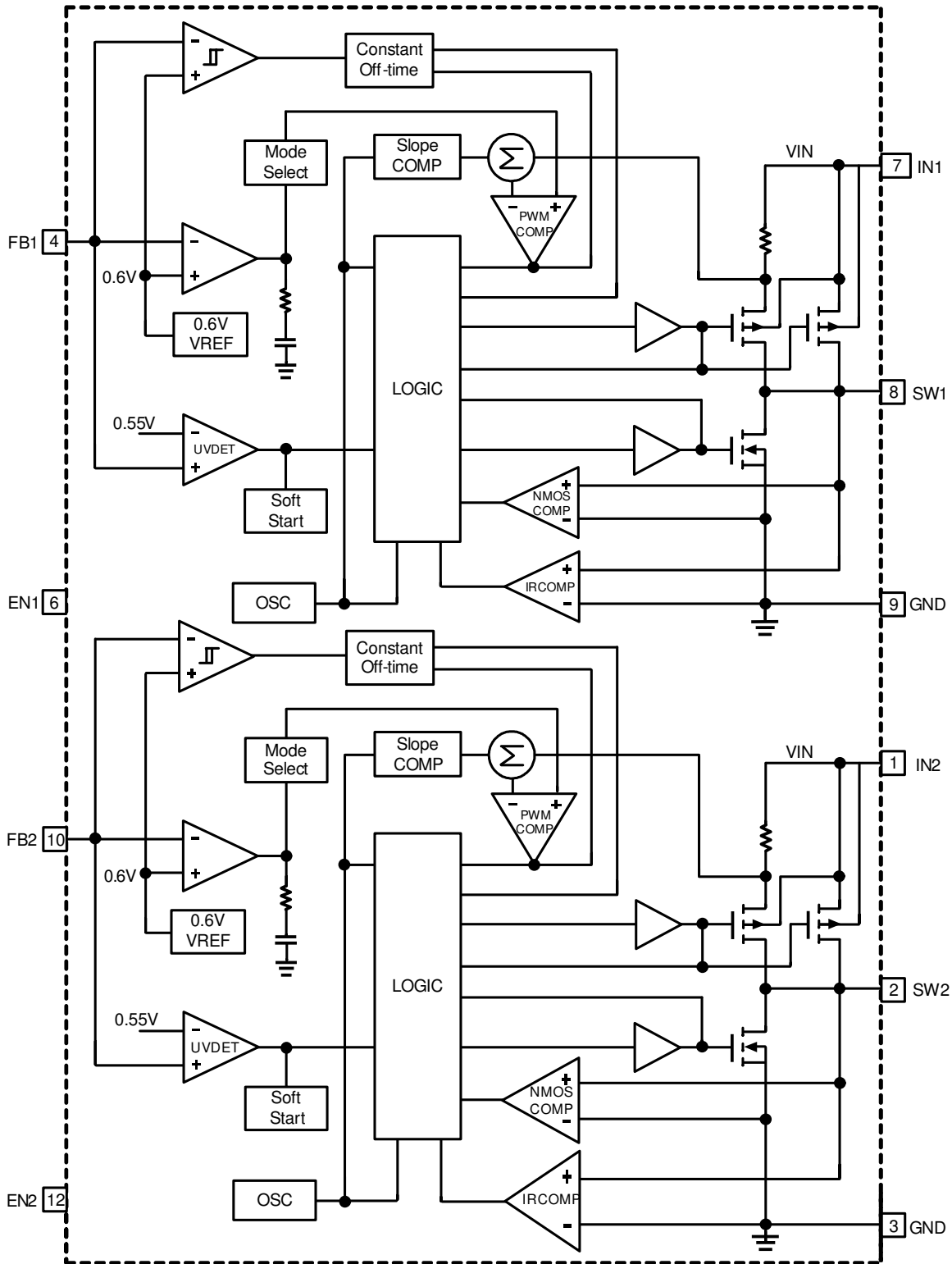


## ■ Features

- High Efficiency: Up to 95%
- Very Low 20 $\mu$ A Quiescent Current
- High Efficiency in Light Load Condition
- 2.5V to 5.5V Input Range
- Adjustable Output From 0.6V to  $V_{IN}$
- Adjustable Output Voltage
- 1A Output Current Per Channel
- Low Dropout Operation: 100% Duty Cycle
- No Schottky Diode Required
- 1.5MHz Constant Frequency PWM Operation
- Small DFN-12A Packages
- Green Products Meet RoHS Standard

## ■ Applications

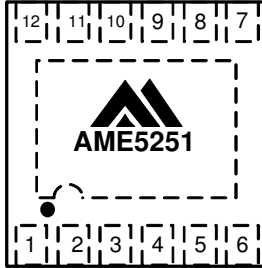
- Cellular Telephones
- Personal Information Appliances
- Wireless and DSL Modems
- MPS Players
- Portable Instruments

**■ Function Block Diagram**


## AME5251

### ■ Pin Configuration

DFN-12A  
(3mmx3mmx0.75mm)  
Top View



**AME5251-AVCxxxxxx**

1. IN2
2. SW2
3. GND
4. FB1
5. NC1
6. EN1
7. IN1
8. SW1
9. GND
10. FB2
11. NC2
12. EN2

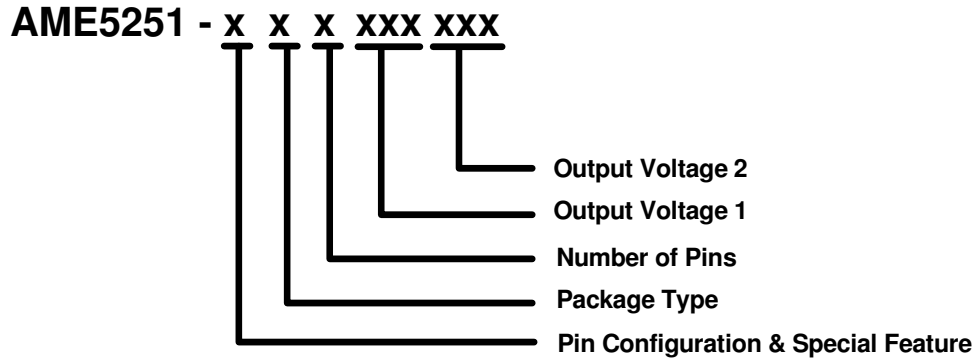
**\* Die Attach:  
Conductive Epoxy**

**Note:**  
Connect exposed pad (heat sink on the back) to GND.

### ■ Pin Description

Pin Name	Pin Description
NC	No connection. Not internally connected. Can left floating or connected to GND.
EN	Enable Control Input, active high.
IN	Input Supply Voltage Pin. Bypass this pin with a capacitor as close to the device as possible.
SW	Switch Node Connection to Inductor.
GND	Ground. Tie directly to ground plane.
FB	Output voltage Feedback input.

### ■ Ordering Information



Pin Configuration & Special Feature	Package Type	Number of Pins	Output Voltage1	Output Voltage2
A (DFN-12A) 1. IN2 2. SW2 3. GND 4. FB1 5. NC1 6. EN1 7. IN1 8. SW1 9. GND 10. FB2 11. NC2 12. EN2	V: DFN	C: 12	ADJ: Adjustable	ADJ: Adjustable

### AME5251

#### ■ Available Options

Part Number	Marking*	Output Voltage	Package	Operating Ambient Temperature Range
AME5251-AVCADJADJ	A5251 CBLMXX	$V_{OUT1}=ADJ$ $V_{OUT2}=ADJ$	DFN-12A	-40°C to +85°C

Note:

1. The first 3 places represent product code. It is assigned by AME such as CBL .
2. A bar on top of first letter represents Green Part such as  $\bar{A}5251$ .
3. The last 3 places MXX represent Marking Code. It contains M as date code in "month", XX as LN code and that is for AME internal use only. Please refer to date code rule section for detail information.
4. Please consult AME sales office or authorized Rep./Distributor for the availability of output voltage and package type.

#### ■ Absolute Maximum Ratings

Parameter	Symbol	Maximum	Unit
Input Supply Voltage	$V_{IN}$	-0.3 to 6.5	V
EN, $V_{OUT}$ Voltage	$V_{EN}, V_{OUT}$	-0.3 to $V_{IN}$	
SW Voltage	$V_{SW}$	-0.3 to $V_{IN}$	
ESD Classification	B*		

Caution: Stress above the listed absolute maximum rating may cause permanent damage to the device.

\* HBM B: 2000V~3999V

**■ Recommended Operating Conditions**

Parameter	Symbol	Rating	Unit
Supply Voltage	$V_{IN}$	2.5 to 5.5	V
Ambient Temperature Range	$T_A$	-40 to +85	°C
Junction Temperature Range	$T_J$	-40 to +125	°C

**■ Thermal Information**

Parameter	Package	Die Attach	Symbol	Maximum	Unit
Thermal Resistance* (Junction to Case)	DFN-12A	Conductive Epoxy	$\theta_{JC}$	8.5	°C / W
Thermal Resistance (Junction to Ambient)			$\theta_{JA}$	65	
Internal Power Dissipation			$P_D$	1.54	W
Solder Iron (10Sec)**				350	°C

\* Measure  $\theta_{JC}$  on backside center of Exposed Pad.

\*\* MIL-STD-202G 210F

### AME5251

### ■ Electrical Specifications

$V_{IN}=3.6V$ ,  $V_{OUT}=2.5V$ ,  $V_{FB}=0.6V$ ,  $L=2.2\mu H$ ,  $C_{IN}=4.7\mu F$ ,  $C_{OUT}=10\mu F$ ,  $T_A=25^\circ C$ ,  $I_{MAX}=1A$  unless otherwise specified.

Parameter	Symbol	Test Condition	Min	Typ	Max	Units
Input voltage	$V_{IN}$		2.5		5.5	V
Adjustable Output Range	$V_{out}$		$V_{FB}$		$V_{IN}-0.2$	V
Feedback Voltage	$V_{FB}$	For Adjustable Output Voltage	0.588	0.6	0.612	V
Feedback Pin Bias Current	$I_{FB}$	$V_{FB}=V_{IN}$	-50		50	nA
Quiescent Current (For Adjustable Output Voltage)	$I_Q$	$I_{OUT}=0mA$ , $V_{FB}=1V$		20	40	$\mu A$
Shutdown Current	$I_{SHDN}$	$V_{EN}=GND$		0.1	1	$\mu A$
Switch Frequency	$f_{OSC}$		1.2	1.5	1.8	MHz
High-side Switch On-Resistance	$R_{DS,ON, LHI}$	$I_{SW}=200mA$ , $V_{IN}=3.6V$		0.28		$\Omega$
Low-side Switch On-Resistance	$R_{DS,ON, LO}$	$I_{SW}=200mA$ , $V_{IN}=3.6V$		0.25		$\Omega$
Switch Current Limit	$I_{SW,CL}$	$V_{IN}=2.5$ to $5.5V$	1.4	1.6		A
EN High (Enabled the Device) <sup>Note1</sup>	$V_{EN,HI}$	$V_{IN}=2.5$ to $5.5V$	1.5			V
EN Low (Shutdown the Device)	$V_{EN,LO}$	$V_{IN}=2.5$ to $5.5V$			0.4	V
Input Undervoltage Lockout	$V_{UVLO}$	rising edge		1.8		V
Input Undervoltage Lockout Hysteresis	$V_{UVLO,HYST}$			0.1		V
Thermal Shutdown Temperature	OTP	Shutdown, temperature increasing		160		$^\circ C$
Thermal Shutdown Hysteresis	OTH	Restore, temperature decreasing		20		$^\circ C$
Maximum Duty Cycle	$D_{MAX}$		100			%
SW Leakage Current		$EN=0V$ , $V_{IN}=5.0V$ $V_{SW}=0V$ or $5.0V$	-1		1	$\mu A$

Note 1.  $V_{EN}$  must be  $\leq V_{IN}$

Note 2. Spec. for per channel

## ■ Detailed Description

### Main Control Loop

AME5251 uses a constant frequency, current mode step-down architecture. Both the main (P-channel MOSFET) and synchronous (N-channel MOSFET) switches are internal. During normal operation, the internal top power MOSFET is turned on each cycle when the oscillator sets the RS latch, and turned off when the current comparator resets the RS latch. While the top MOSFET is off, the bottom MOSFET is turned on until either the inductor current starts to reverse as indicated by the current reversal comparator IRCMP.

### Short-Circuit Protection

When the output is shorted to ground, the frequency of the oscillator is reduced to about 180KHz. This frequency foldback ensures that the inductor current has more time to decay, thereby preventing runaway. The oscillator's frequency will progressively increase to 1.5MHz when  $V_{FB}$  or  $V_{OUT}$  rises above 0V.

### Dropout Operation

As the input supply voltage decreases to a value approaching the output voltage, the duty cycle increases toward the maximum on-time. Further reduction of the supply voltage forces the main switch to remain on for more than one cycle until it reaches 100% duty cycle. The output voltage will then be determined by the input voltage minus the voltage drop across the P-channel MOSFET and the inductor.

## ■ Application Information

The basic AME5251 application circuit is shown in Typical Application Circuit. External component selection is determined by the maximum load current and begins with the selection of the inductor value and followed by  $C_{IN}$  and  $C_{OUT}$ .

### Inductor Selection

For a given input and output voltage, the inductor value and operating frequency determine the ripple current. The ripple current  $\Delta I_L$  increases with higher  $V_{IN}$  and decreases with higher inductance.

$$\Delta I_L = \frac{1}{(f)(L)} V_{OUT} \left( 1 - \frac{V_{OUT}}{V_{IN}} \right)$$

A reasonable starting point for setting ripple current is  $\Delta I_L = 0.4(I_{MAX})$ . The DC current rating of the inductor should be at least equal to the maximum load current plus half the ripple current to prevent core saturation. For better efficiency, choose a low DC-resistance inductor.

### $C_{IN}$ and $C_{OUT}$ Selection

The input capacitance,  $C_{IN}$  is needed to filter the trapezoidal current at the source of the top MOSFET. To prevent large voltage transients, a low ESR input capacitor sized for the maximum RMS current must be used. The maximum RMS capacitor current is given by:

$$I_{RMS} = I_{OUT(MAX)} \frac{V_{OUT}}{V_{IN}} \sqrt{\frac{V_{IN}}{V_{OUT}} - 1}$$

This formula has a maximum at  $V_{IN} = 2V_{OUT}$ , where  $I_{RMS} = I_{OUT}/2$ . This simple worst-case condition is commonly used for design because even significant deviations do not offer much relief. Note that the capacitor manufacturer ripple current ratings are often based on 2000 hours of life. This makes it advisable to further derate the capacitor, or choose a capacitor rated at a higher temperature than required.



The selection of  $C_{OUT}$  is determined by the effective series resistance (ESR) that is required to minimize voltage ripple and load step transients. The output ripple,  $V_{OUT}$ , is determined by:

$$\Delta V_{OUT} \cong \Delta I_L \left( ESR + \frac{1}{8fC_{OUT}} \right)$$

### Using Ceramic Input and Output Capacitors

Higher values, lower cost ceramic capacitors are now becoming available in smaller case sizes. Their high ripple current, high voltage rating and low ESR make them ideal for switching regulator applications. However, care must be taken when these capacitors are used at the input and output. When a ceramic capacitor is used at the input and the power is supplied by a wall adapter through long wires, a load step at the output can induce ringing at the input,  $V_{IN}$ . At best, this ringing can couple to the output and be mistaken as loop instability. At worst, a sudden inrush of current through the long wires can potentially cause a voltage spike at  $V_{IN}$  large enough to damage the part.

### Output Voltage Programming

The output voltage is set by an external resistive divider according to the following equation:

$$V_{OUT} = V_{REF} \times \left( 1 + \frac{R_1}{R_2} \right)$$

Where  $V_{REF}$  equals to 0.6V typical. The resistive divider allows the FB pin to sense a fraction of the output voltage as shown in Figure 1.

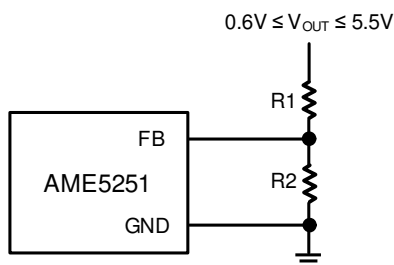


Figure 1: Setting the AME5251 Output Voltage

### Enable

The EN pin provides electrical on/off control of the regulator. When the EN pin voltage exceeds the lockout threshold voltage, the regulator starts to operate.

If the EN pin voltage is pulled below the lockout threshold voltage, the regulator stops switching.

Connecting the EN pin to ground or to any voltage less than 1.5V will disable the regulator and activate the shutdown mode.

The EN pin voltage must be less than or equal to  $V_{IN}$  pin voltage. When EN pin voltage more than  $V_{IN}$  pin voltage 0.4V ~ 0.7V.

AME5251 SW pin will be terminated.

### Thermal Considerations

In most applications the AME5251 does not dissipate much heat due to its high efficiency. But, in applications where the AME5251 is running at high ambient temperature with low supply voltage and high duty cycles, such as in dropout, the heat dissipated may exceed the maximum junction temperature of the part. If the junction temperature reaches approximately 160°C, both power switches will be turned off and the SW node will become high impedance. To avoid the AME5251 from exceeding the maximum junction temperature, the user will need to do some thermal analysis. The goal of the thermal analysis is to determine whether the power dissipated exceeds the maximum junction temperature of the part. The temperature rise is given by:

$$T_R = (PD)(\theta_{JA})$$

Where PD is the power dissipated by the regulator and  $\theta_{JA}$  is the thermal resistance from the junction of the die to the ambient temperature.

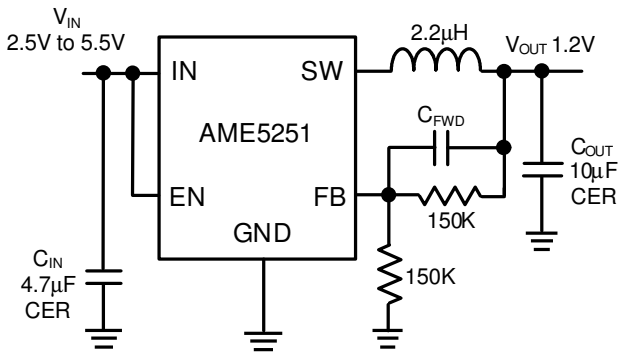


Figure 2: 1.2V Step-Down Regulator

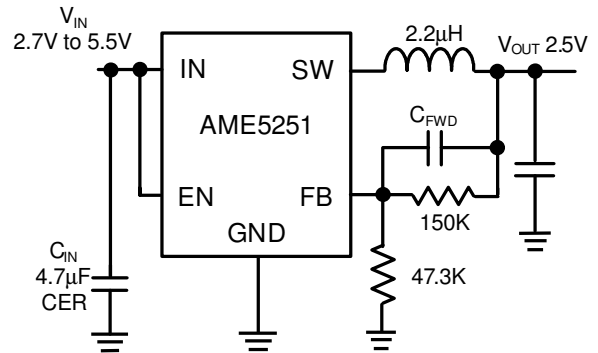
 $C_{FWD}: 22\text{pF} \sim 220\text{pF}$ 


Figure 5: 2.5V Step-Down Regulator

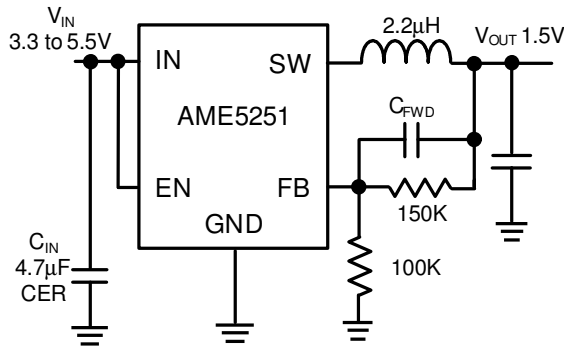
 $C_{FWD}: 22\text{pF} \sim 220\text{pF}$ 


Figure 3: 1.5V Step-Down Regulator

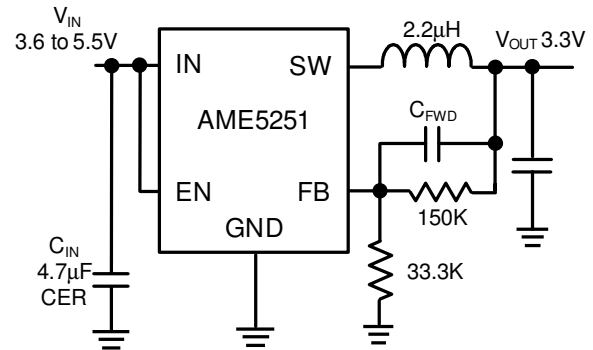
 $C_{FWD}: 22\text{pF} \sim 220\text{pF}$ 


Figure 6: 3.3V Step-Down Regulator

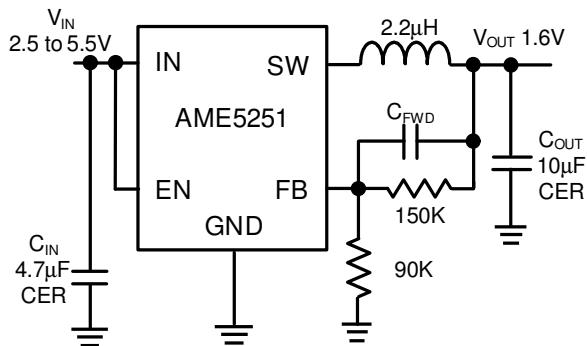
 $C_{FWD}: 22\text{pF} \sim 220\text{pF}$ 


Figure 4: 1.6V Step-Down Regulator

 $C_{FWD}: 22\text{pF} \sim 220\text{pF}$

## AME5251

### PCB Board Layout Check List

When laying out the printed circuit board, the following checklist should be used to ensure proper operation of the AME5251. Check the following in your layout:

1. The power traces, consisting of the GND trace, the SW trace and the  $V_{IN}$  trace should be kept short, direct and wide.
2. Does the  $V_{FB}$  pin connect directly to the feedback resistors? The resistive divider R2/R1 must be connected between the (+) plate of  $C_{OUT}$  and ground.
3. Does the (+) plate of  $C_{IN}$  connect to  $V_{IN}$  as closely as possible? This capacitor provides the AC current to the internal power MOSFETs.
4. Keep the switching node, SW, away from the sensitive  $V_{FB}$  node.
5. Keep the (-) plates of  $C_{IN}$  and  $C_{OUT}$  as close as possible.

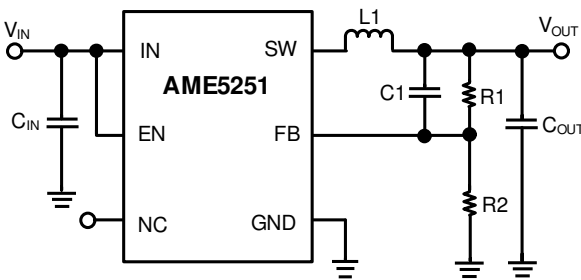


Figure 7

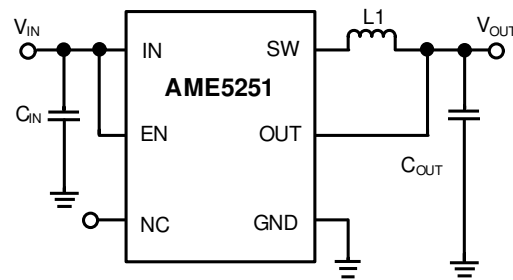


Figure 8

## ■ Application Information

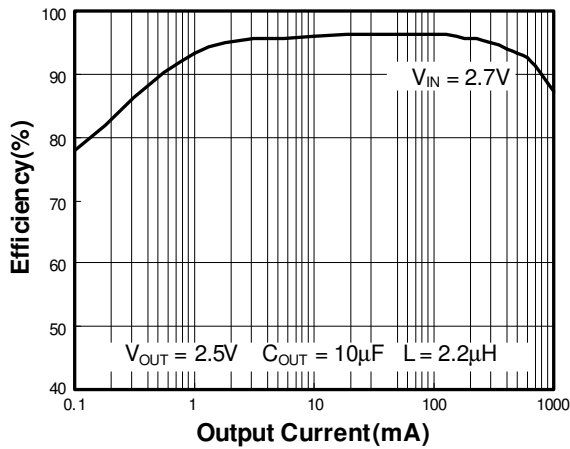
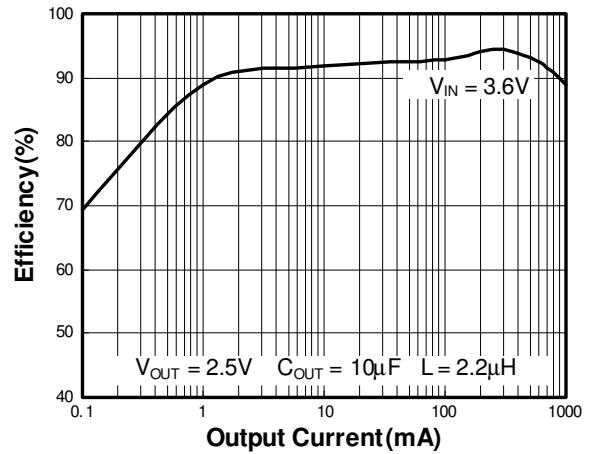
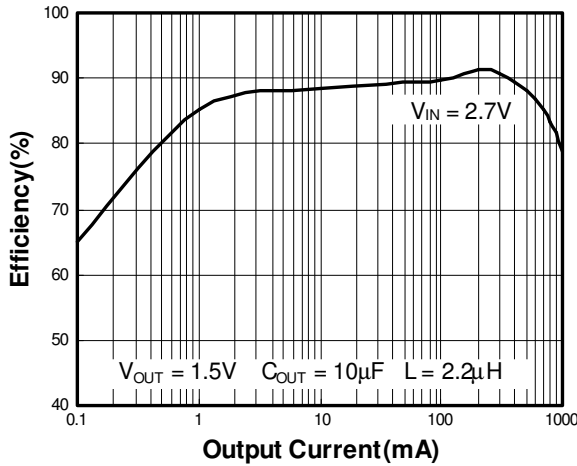
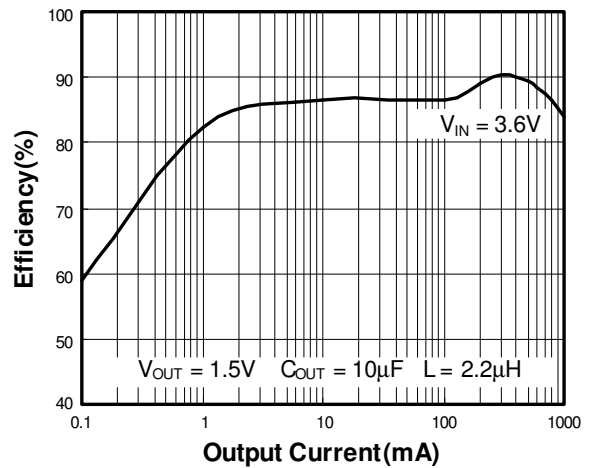
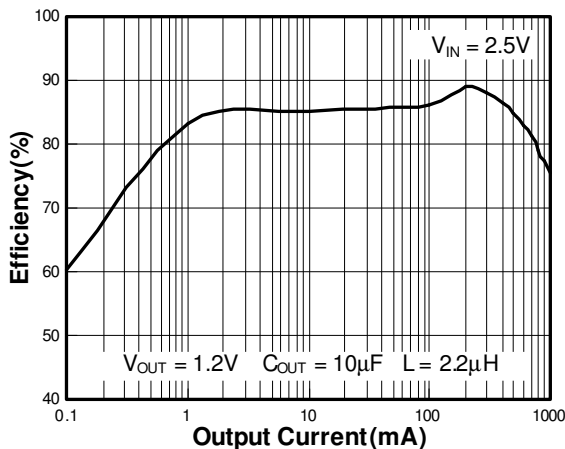
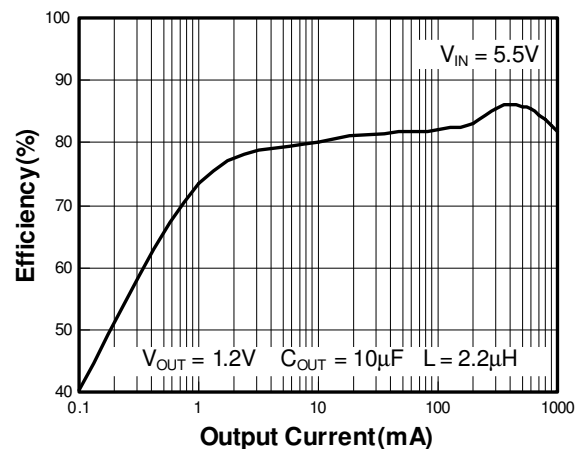
### External components selection

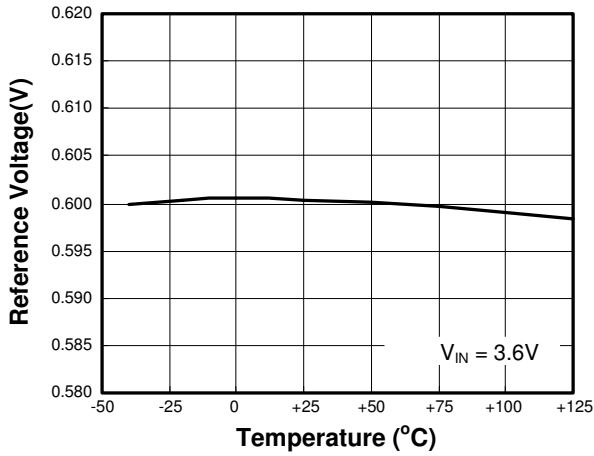
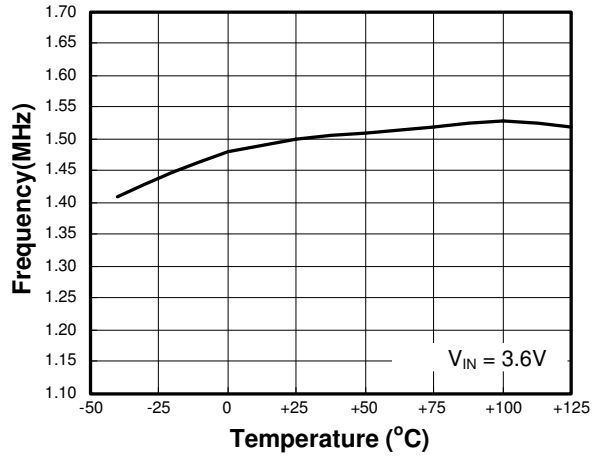
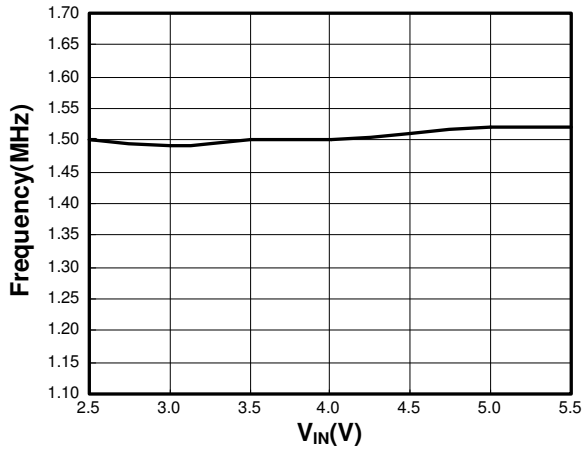
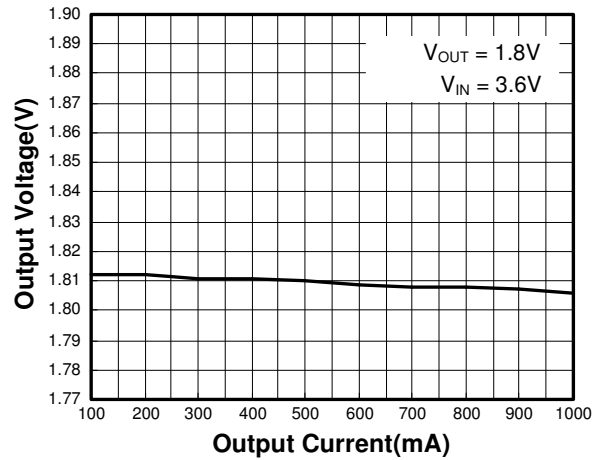
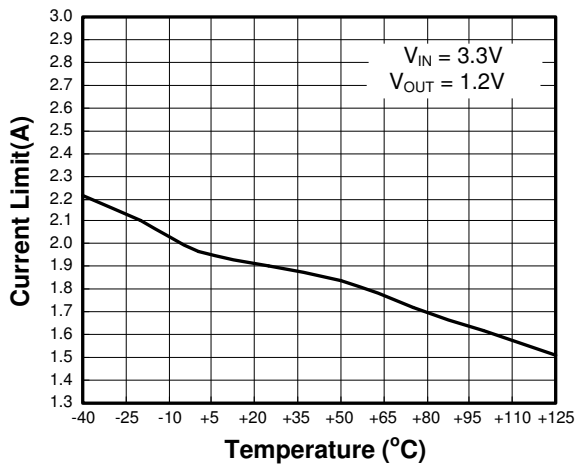
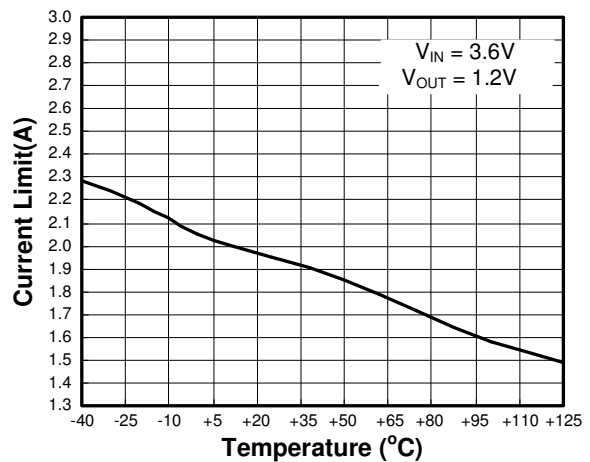
Supplier	Inductance (μF)	Current Rating (mA)	DCR (mΩ)	Dimensions (mm)	Series
TAIYO YUDEN	2.2	1480	60	3.00 x 3.00 x 1.50	NR 3015
GOTREND	2.2	1500	58	3.85 x 3.85 x 1.80	GTSD32
Sumida	2.2	1500	75	4.50 x 3.20 x 1.55	CDRH2D14
Sumida	4.7	1000	135	4.50 x 3.20 x 1.55	CDRH2D14
TAIYO YUDEN	4.7	1020	120	3.00 x 3.00 x 1.50	NR 3015
GOTREND	4.7	1100	146	3.85 x 3.85 x 1.80	GTSD32

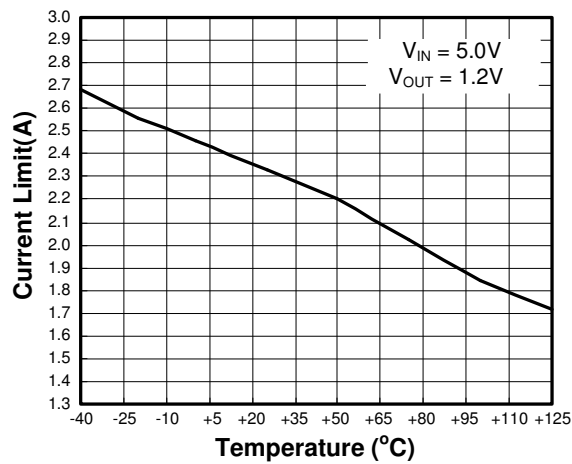
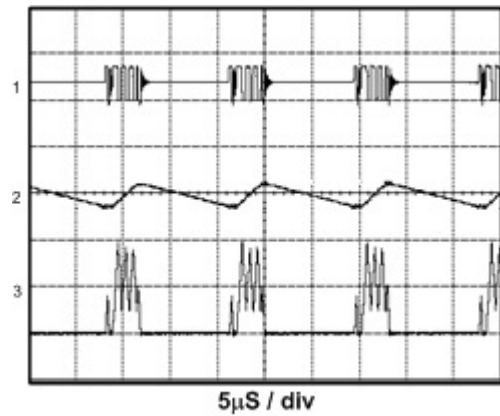
**Table 1. Recommended Inductors**

Supplier	Capacitance (μF)	Package	Part Number
TDK	4.7	603	C1608JB0J475M
MURATA	4.7	603	GRM188R60J475KE19
TAIYO YUDEN	4.7	603	JMK107BJ475RA
TAIYO YUDEN	10	603	JMK107BJ106MA
TDK	10	805	C2012JB0J106M
MURATA	10	805	GRM219R60J106ME19
MURATA	10	805	GRM219R60J106KE19
TAIYO YUDEN	10	805	JMK212BJ106RD

**Table 2. Recommended Capacitors for C<sub>IN</sub> and C<sub>OUT</sub>**

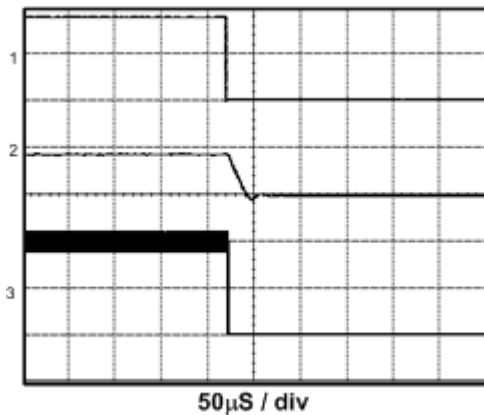
**■ Characterization Curve**
**Efficiency vs. Output Current**

**Efficiency vs. Output Current**

**Efficiency vs. Output Current**

**Efficiency vs. Output Current**

**Efficiency vs. Output Current**

**Efficiency vs. Output Current**


**■ Characterization Curve (Contd.)**
**Reference Voltage vs. Temperature**

**Frequency vs. Temperature**

**Frequency vs. Supply Voltage**

**Output Voltage vs. Output Current**

**Current Limit vs. Temperature**

**Current Limit vs. Temperature**


**■ Characterization Curve (Contd.)**
**Current Limit vs. Temperature**

**Light Load Mode output voltage ripple**


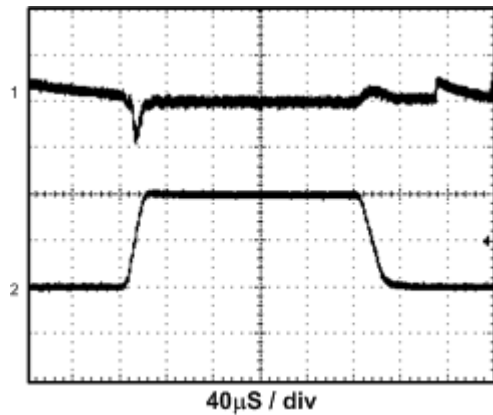
$V_{IN} = 3.6V$   
 $V_{OUT} = 1.8V$   
 $I_{OUT} = 50mA$

- 1)  $V_{SW} = 5V/div$
- 2)  $V_{OUT} = 100mV/div$
- 3)  $I_L = 200mA/div$

**Power Off from EN**


$V_{IN} = 3.6V$   
 $V_{OUT} = 1.8V$   
 $I_{OUT} = 1A$

- 1)  $EN = 2V/div$
- 2)  $V_{OUT} = 2V/div$
- 3)  $I_L = 500mA/div$

**Load Step**


$V_{IN} = 3.6V$   
 $V_{OUT} = 1.8V$   
 $I_{OUT} = 0A \sim 1A \sim 0A$

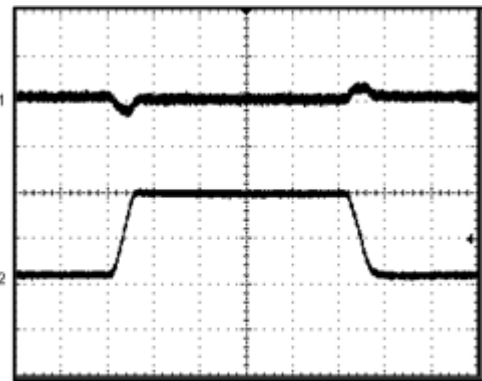
- 1)  $V_{OUT} = 100mV/div$
- 2)  $I_{OUT} = 500mA/div$

**■ Characterization Curve (Contd.)**
**Load Step**

 $40\mu\text{S} / \text{div}$ 

$V_{\text{IN}} = 3.6\text{V}$   
 $V_{\text{OUT}} = 1.8\text{V}$   
 $I_{\text{OUT}} = 50\text{mA} \sim 1\text{A} \sim 50\text{mA}$

1)  $V_{\text{OUT}} = 100\text{mV}/\text{div}$   
 2)  $I_{\text{OUT}} = 500\text{mA}/\text{div}$

**Load Step**

 $40\mu\text{S} / \text{div}$ 

$V_{\text{IN}} = 3.6\text{V}$   
 $V_{\text{OUT}} = 1.8\text{V}$   
 $I_{\text{OUT}} = 100\text{mA} \sim 1\text{A} \sim 100\text{mA}$

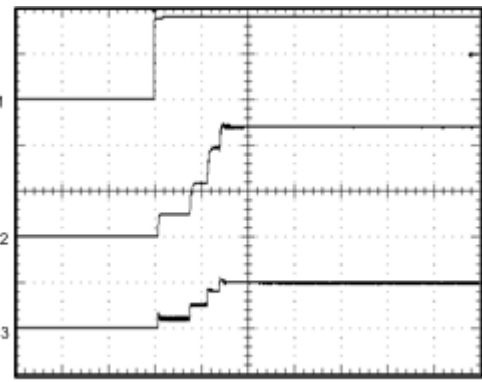
1)  $V_{\text{OUT}} = 100\text{mV}/\text{div}$   
 2)  $I_{\text{OUT}} = 500\text{mA}/\text{div}$

**Load Step**

 $40\mu\text{S} / \text{div}$ 

$V_{\text{IN}} = 3.6\text{V}$   
 $V_{\text{OUT}} = 1.8\text{V}$   
 $I_{\text{OUT}} = 200\text{mA} \sim 1\text{A} \sim 200\text{mA}$

1)  $V_{\text{OUT}} = 100\text{mV}/\text{div}$   
 2)  $I_{\text{OUT}} = 500\text{mA}/\text{div}$

**Power On from EN**

 $400\mu\text{S} / \text{div}$ 

$V_{\text{OUT}} = 1.2\text{V}$   
 $I_{\text{OUT}} = 1\text{A}$

1)  $\text{EN} = 2\text{V}/\text{div}$   
 2)  $V_{\text{OUT}} = 500\text{mV}/\text{div}$   
 3)  $I_{\text{L}} = 1\text{A}/\text{div}$



## AME5251

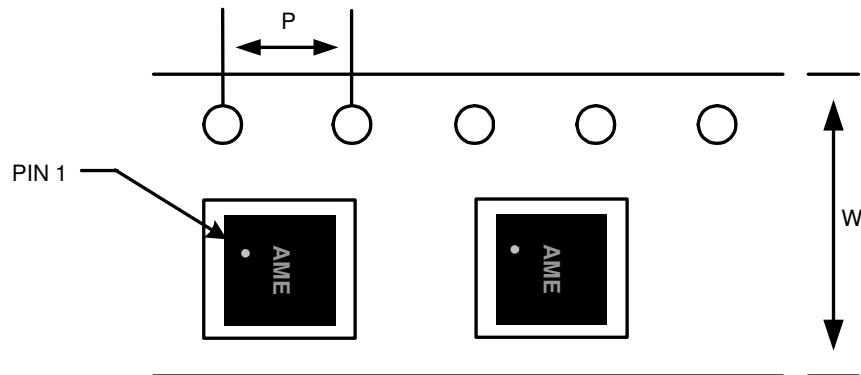
### ■ Date Code Rule

Month Code	
1: January	7: July
2: February	8: August
3: March	9: September
4: April	A: October
5: May	B: November
6: June	C: December

Marking						Year
A	A	A	M	X	X	xxx0
A	A	A	M	X	<u>X</u>	xxx1
A	A	A	M	<u>X</u>	X	xxx2
A	A	A	M	<u>X</u>	<u>X</u>	xxx3
A	A	A	<u>M</u>	X	X	xxx4
A	A	A	<u>M</u>	X	<u>X</u>	xxx5
A	A	A	<u>M</u>	<u>X</u>	X	xxx6
A	A	A	<u>M</u>	<u>X</u>	<u>X</u>	xxx7
A	A	<u>A</u>	M	X	X	xxx8
A	A	<u>A</u>	M	X	<u>X</u>	xxx9

### ■ Tape and Reel Dimension

**DFN-12A**  
(3mmx3mmx0.75mm)



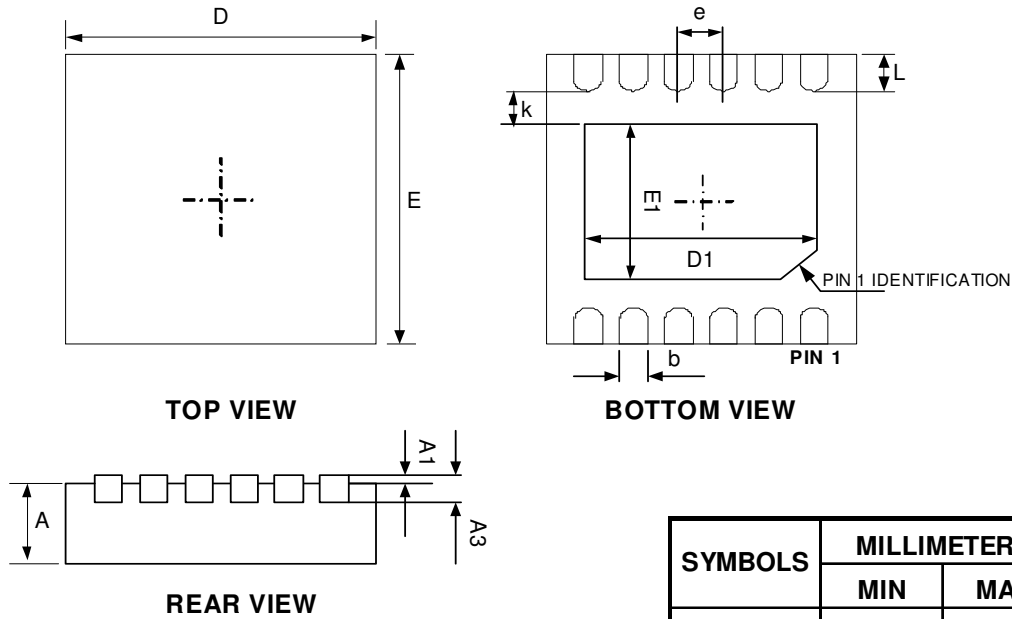
Carrier Tape, Number of Components Per Reel and Reel Size

Package	Carrier Width (W)	Pitch (P)	Part Per Full Reel	Reel Size
DFN-12A (3x3x0.75mm)	12.0±0.1 mm	4.0±0.1 mm	5000pcs	330±1 mm

## AME5251

### ■ Package Dimension

**DFN-12A**  
(3mmx3mmx0.75mm)



SYMBOLS	MILLIMETERS		INCHES	
	MIN	MAX	MIN	MAX
<b>A</b>	0.700	0.800	0.028	0.031
<b>A1</b>	0.000	0.050	0.000	0.002
<b>A3</b>	0.203REF.		0.008REF.	
<b>D</b>	2.924	3.076	0.115	0.121
<b>E</b>	2.924	3.076	0.115	0.121
<b>D1</b>	2.450	2.650	0.096	0.104
<b>E1</b>	1.500	1.700	0.059	0.067
<b>k</b>	0.200MIN.		0.008MIN	
<b>b</b>	0.150	0.250	0.006	0.010
<b>e</b>	0.450TYP.		0.018TYP.	
<b>L</b>	0.324	0.476	0.013	0.019



**www.ame.com.tw**  
**E-Mail: sales@ame.com.tw**

**Life Support Policy:**

These products of AME, Inc. are not authorized for use as critical components in life-support devices or systems, without the express written approval of the president of AME, Inc.

AME, Inc. reserves the right to make changes in the circuitry and specifications of its devices and advises its customers to obtain the latest version of relevant information.

© AME, Inc. , September 2020  
Document: 1283-DS5251-B.01

**Corporate Headquarter**

**AME, Inc.**

8F-1, 12, WenHu St., Nei-Hu

Taipei 114, Taiwan.

Tel: 886 2 2627-8687

Fax: 886 2 2659-2989