

## Product Change Notices

PCN No.:20110404

Date: 04/18/2011

This is to inform you that AME8815 SOT-223 series bonding wire material change will be made to the following product(s). This notification is for your information and concurrence.

If you require data or samples to qualify this change, please contact AME, Inc. within 30 days of receiving of this notification.

If we do not receive any response from you within 30 calendar days from the date of this notification, we will consider that you have accepted this PCN.

If you have any questions concerning this change, please contact:

**PCN Originator:**

Name: Bill Chou

Email: [bill\\_chou@ame.com.tw](mailto:bill_chou@ame.com.tw)

Expected 1st Device Shipment Date: 03/30/2011

Effective Year/Work Week of Changed Product: NA

**Description of Change :**

Change AME8815 SOT-223 series bonding wire material from Au to Cu wire.

**Reason for Change:**

Vendor notified AME the bonding wire material of SOT-223 will be changed from Au to Cu wire. AME had approved the Qual/REL report as attached.

**AME8815 SOT-223 series Part Number:**

AME8815AEGT150Z	AME8815AEGT475Z	AME8815BEGT330Z
AME8815AEGT180Z	AME8815AEGT500Z	AME8815BEGT390Z
AME8815AEGT190Z	AME8815BEGT150Z	AME8815BEGT475Z
AME8815AEGT250Z	AME8815BEGT180Z	AME8815BEGT500Z
AME8815AEGT330Z	AME8815BEGT250Z	AME8815BEGT190Z



Qual/REL Report:

RR-AME8815 SOT-223\_rev. A

TEST ITEM	METHOD	DESCRIPTION	Result
HTS	JESD22-A103D	150 , 1000 hrs	Accept
TCT	JESD22-A104D	-65 ~ 150 ,200 cycles, DWELL=15min	Accept
THT (85/85)	JESD22-A101C	85 ,85% RH, 1000hrs	Accept
PCT	JESD22-A102D	121 , 100% RH, 2atm, 168hrs	Accept



# Cu Wire Reliability Report for AME8815 SOT-223 Series Product

**Approved by**

Amy Shen  
Quality & Reliability Dept.  
Manager

**Prepared by**

Jess Lin  
Quality & Reliability Dept.  
Engineer



**Conclusion:**

The AME8815 SOT-223 series product has successfully met AME's reliability standard that is required on all AME, Inc products.

Furthermore, QRA Dept. of AME, Inc monitors the reliability continuously to make sure that all AME8815 SOT-223 series product will still meet AME's reliability standard in the future.

**Table of Contents:**

- 、 General Description
  
- 、 Product Information
  
- 、 Package Reliability Test Result

## 、 General Description:

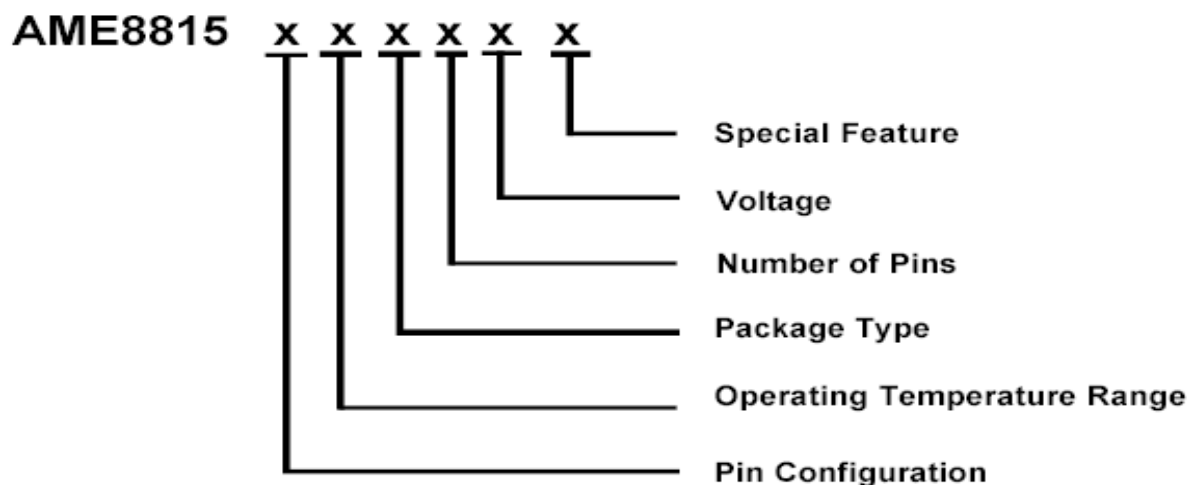
The AME8815 SOT-223 family of linear regulators feature low quiescent current (45mA typ.) with low dropout voltage, making them ideal for battery applications. The space-efficient SOT-223 packages are attractive for "Pocket" and "Hand Held" applications.

Output voltages are set at the factory and trimmed to 1.5% accuracy.

These rugged devices have both Thermal Shutdown, and Current Fold-back to prevent device failure under the "Worst" of operating conditions.

The AME8815 is stable with an output capacitance of 4.7 $\mu$ F or greater.

## 、 Product Information:



Pin Configuration	Operating Temperature Range	Package Type	Number of Pins	Voltage	Special Feature
A: 1. Vin 2. GND 3. Vout	E:-40 to 85	G: SOT-223	T: 3	150: V=1.5V 180: V=1.8V 190: V=1.9V	Z: Lead Free
B: 1. Vin 2. GND 3. Vout				250: V=2.5V 330: V=3.3V 475: V=4.75V 500: V=5.0V	



、 Package Reliability Test Result:

Test Item	Test Condition	Sample Size / Failures	Result
HTS	Precondition Temp.=150 Duration=1000 hours	45 pcs / 0 pcs	Pass
THT	Precondition Temp.=85 , R.H.=85% Duration=1000 hours	45 pcs / 0 pcs	Pass
PCT	Precondition Temp.=121 , R.H.=100% 2 atm Duration=168 hours	45 pcs / 0 pcs	Pass
TCT	Precondition -65 ~ 150 200 cycles	45 pcs / 0 pcs	Pass