

■ General Description

The AME8810 of positive, linear regulators feature low quiescent current (30 μ A typ.) with low dropout voltage, making them ideal for battery applications. The space-saving SOT-223 package is attractive for "Pocket" and "Hand Held" applications.

These rugged devices have both Thermal Shutdown, and Current Fold-back to prevent device failure under the "Worst" of operating conditions.

The AME8810 is stable with an output capacitance of 2.2 μ F or greater.

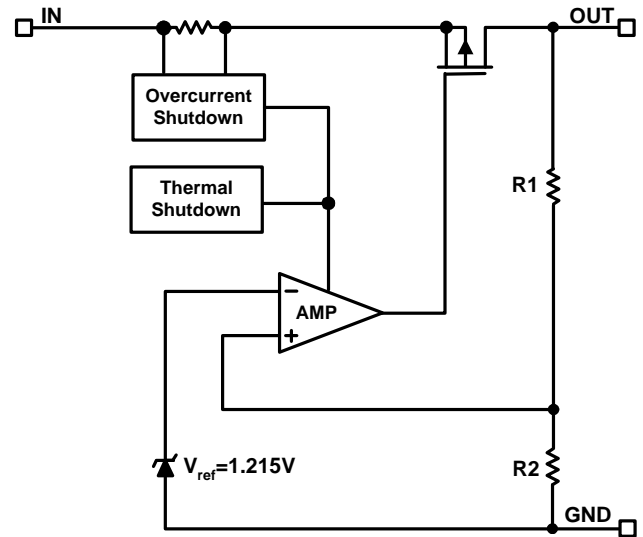
■ Features

- Very Low Dropout Voltage
- Guaranteed 600mA Output
- Accurate to within 1.5%
- 30 μ A Quiescent Current
- Over-Temperature Shutdown
- Current Limiting
- Short Circuit Current Fold-back
- Space-Saving SOT-223
- Factory Pre-set Output Voltages
- Low Temperature Coefficient
- All AME's Lead Free Products Meet RoHS Standards

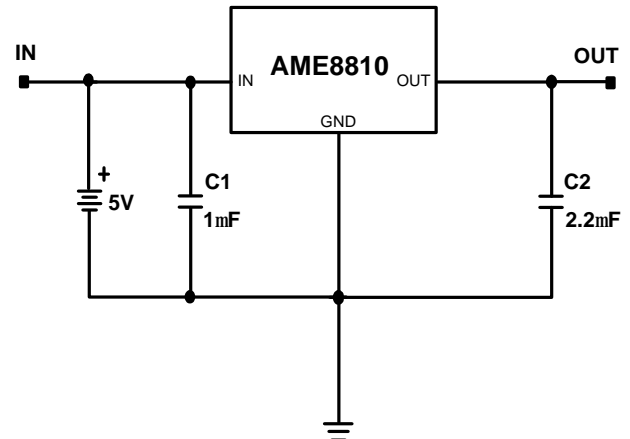
■ Applications

- Instrumentation
- Portable Electronics
- Wireless Devices
- Cordless Phones
- PC Peripherals
- Battery Powered Widgets
- Electronic Scales

■ Functional Block Diagram



■ Typical Application



■ Pin Configuration

AME8810

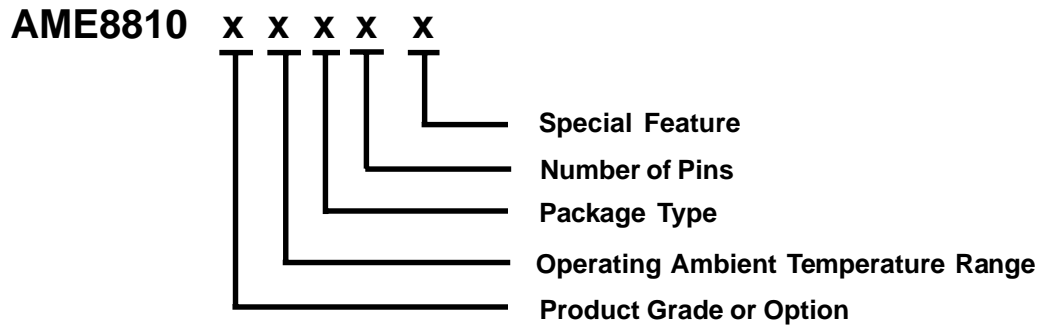
1. GND
2. V_{OUT}
3. V_{IN}

is the sole product of AME8810 family

Pls contact Sales Department if any other package or pin configuration is required.

* **Die Attach:**

Non-Conductive Epoxy

■ Ordering Information


Product Grade or Option	Operating Ambient Temperature Range	Package Type	Number of Pins	Special Feature
A: 3.3V 1: 1.3V B: 3.0V 2: 2.0V C: 2.8V 3: 4.2V D: 2.5V 4: 4.0V E: 3.8V F: 3.6V G: 3.5V H: 2.7V I: 3.4V J: 2.85V K: 3.7V L: 1.5V M: 1.8V N: 2.9V O: 3.1V P: 4.1V Q: 4.75V R: 2.65V S: 5.0V U: 3.2V V: 3.15V W: 2.3V Y: 1.9V Z: 1.7V	E: -40°C to +85°C	G: SOT-223	T: 3	Z: Lead Free

■ Ordering Information

Part Number	Marking*	Output Voltage	Package	Operating Ambient Temperature Range
AME8810AEGT	ADlyww	3.3V	SOT-223	- 40°C to +85°C
AME8810AEGTZ	ADlyww	3.3V	SOT-223	- 40°C to +85°C
AME8810BEGT	ADJyww	3.0V	SOT-223	- 40°C to +85°C
AME8810BEGTZ	ADJyww	3.0V	SOT-223	- 40°C to +85°C
AME8810CEGT	ADKyww	2.8V	SOT-223	- 40°C to +85°C
AME8810CEGTZ	ADKyww	2.8V	SOT-223	- 40°C to +85°C
AME8810DEGT	ADLyww	2.5V	SOT-223	- 40°C to +85°C
AME8810DEGTZ	ADLyww	2.5V	SOT-223	- 40°C to +85°C
AME8810EEGT	ADMyww	3.8V	SOT-223	- 40°C to +85°C
AME8810EEGTZ	ADMyww	3.8V	SOT-223	- 40°C to +85°C
AME8810FEGT	ADNyww	3.6V	SOT-223	- 40°C to +85°C
AME8810FEGTZ	ADNyww	3.6V	SOT-223	- 40°C to +85°C
AME8810GEGT	ADOyww	3.5V	SOT-223	- 40°C to +85°C
AME8810GEGTZ	ADOyww	3.5V	SOT-223	- 40°C to +85°C
AME8810HEGT	AEKyww	2.7V	SOT-223	- 40°C to +85°C
AME8810HEGTZ	AEKyww	2.7V	SOT-223	- 40°C to +85°C
AME8810IEGT	AESyww	3.4V	SOT-223	- 40°C to +85°C
AME8810IEGTZ	AESyww	3.4V	SOT-223	- 40°C to +85°C
AME8810JEGT	AGVyww	2.85V	SOT-223	- 40°C to +85°C
AME8810JEGTZ	AGVyww	2.85V	SOT-223	- 40°C to +85°C

Note: yww represents the date code.

* A line on top of the first letter represents lead free plating such as \overline{A} Dlyww.

Please consult AME sales office or authorized Rep./Distributor for output voltage and package type availability.

■ Ordering Information (contd.)

Part Number	Marking*	Output Voltage	Package	Operating Ambient Temperature Range
AME8810KEGT	AHXyww	3.7V	SOT-223	- 40°C to +85°C
AME8810KEGTZ	AHXyww	3.7V	SOT-223	- 40°C to +85°C
AME8810LEGT	AJFyww	1.5V	SOT-223	- 40°C to +85°C
AME8810LEGTZ	AJFyww	1.5V	SOT-223	- 40°C to +85°C
AME8810MEGT	AJGyww	1.8V	SOT-223	- 40°C to +85°C
AME8810MEGTZ	AJGyww	1.8V	SOT-223	- 40°C to +85°C
AME8810NEGT	AKWyww	2.9V	SOT-223	- 40°C to +85°C
AME8810NEGTZ	AKWyww	2.9V	SOT-223	- 40°C to +85°C
AME8810OEGT	AKXyww	3.1V	SOT-223	- 40°C to +85°C
AME8810OEGTZ	AKXyww	3.1V	SOT-223	- 40°C to +85°C

■ Absolute Maximum Ratings

Parameter	Maximum	Unit
Input Voltage	8	V
Output Current	1	A
Input, Output Voltage	GND - 0.3 to $V_{IN} + 0.3$	V
ESD Classification	B*	

Caution: Stress above the listed absolute maximum rating may cause permanent damage to the device.

*HBM B:2000V~3999V

■ Recommended Operating Conditions

Parameter	Symbol	Rating	Unit
Ambient Temperature Range	T_A	- 40 to +85	°C
Junction Temperature Range	T_J	- 40 to +125	°C

■ Thermal Information

Parameter	Package	Die Attach	Symbol	Maximum	Unit
Thermal Resistance* (Junction to Case)	SOT-223	Non-Conductive Epoxy	θ_{JC}	31	°C / W
Thermal Resistance (Junction to Ambient)		Non-Conductive Epoxy	θ_{JA}	135	°C / W
Internal Power Dissipation		Non-Conductive Epoxy	P_D	800	mW
Maximum Junction Temperature				150	°C
Solder Iron(10 Sec)**				350	°C

* Measure θ_{JC} on backside center of tab.

** MIL-STD-202G 210F

■ Electrical Specifications

TA = 25°C unless otherwise noted

Parameter	Symbol	Test Condition	Min	Typ	Max	Units	
Input Voltage	V_{IN}		Note 1		7	V	
Output Voltage Accuracy	V_O	$I_O=1mA$	-1.5		1.5	%	
Dropout Voltage	$V_{DROPOUT}$	$I_O=600mA$ $V_O=V_{O(NOM)}-2.0%$	$1.3V \leq V_{O(NOM)} \leq 1.4V$	See chart	1900	mV	
			$1.4V < V_{O(NOM)} \leq 2.0V$		1400		
			$2.0V < V_{O(NOM)} \leq 2.8V$		800		
			$2.8V < V_{O(NOM)}$		600		
Output Current	I_O	$V_O > 1.2V$	600			mA	
Current Limit	I_{LIM}	$V_O > 1.2V$	600	800		mA	
Short Circuit Current	I_{SC}	$V_O < 0.8V$		300	600	mA	
Quiescent Current	I_Q	$I_O=0mA$		30	50	μA	
Ground Pin Current	I_{GND}	$I_O=1mA$ to 600mA		35		μA	
Line Regulation	REG_{LINE}	$I_O=1mA$ $V_{IN}=V_O+1$ to V_O+2	$1.3V \leq V_O \leq 1.4V$	-0.2		0.2	%
			$1.4V < V_O \leq 2.0V$	-0.15		0.15	
			$2.0V < V_O < 4.0V$	-0.1	0.02	0.1	
			$V_O \geq 4.0V$	-0.4	0.2	0.4	
Load Regulation	REG_{LOAD}	$I_O=1mA$ to 600mA		0.2	1	%	
Over Temperature Shutdown	OTS			150		°C	
Over Temperature Hysteresis	OTH			30		°C	
V_O Temperature Coefficient	TC			30		ppm/°C	
Power Supply Rejection	PSRR	$I_O=100mA$ $C_O=2.2\mu F$	$f=100Hz$		60	dB	
			$f=1kHz$		50		
			$f=10kHz$		20		
Output Voltage Noise	eN	$f=10Hz$ to 100kHz $I_O=10mA, C_{BYP}=0\mu F$			30	μV_{rms}	

 Note1: $V_{IN(MIN)} = V_{OUT} + V_{DROPOUT}$

Note2: To prevent the Short Circuit Current protection feature from being prematurely activated, the input voltage must be applied before a current source load is applied.

■ Detailed Description

The AME8810 of CMOS regulators contains a PMOS pass transistor, voltage reference, error amplifier, over-current protection, and thermal shutdown.

The P-channel pass transistor receives data from the error amplifier, over-current shutdown, and thermal protection circuits. During normal operation, the error amplifier compares the output voltage to a precision reference. Over-current and Thermal shutdown circuits become active when the junction temperature exceeds 150°C, or the current exceeds 600mA. During thermal shutdown, the output voltage remains low. Normal operation is restored when the junction temperature drops below 120°C.

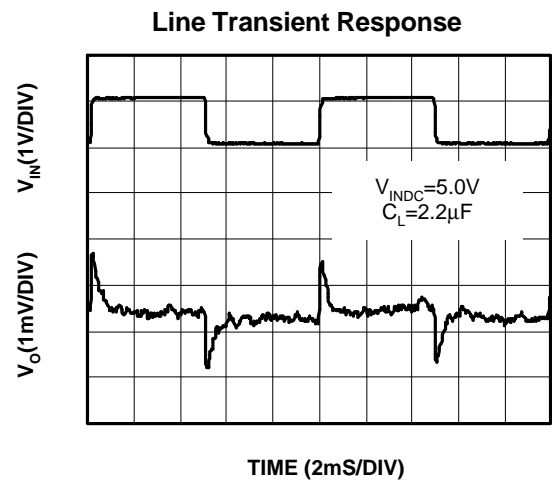
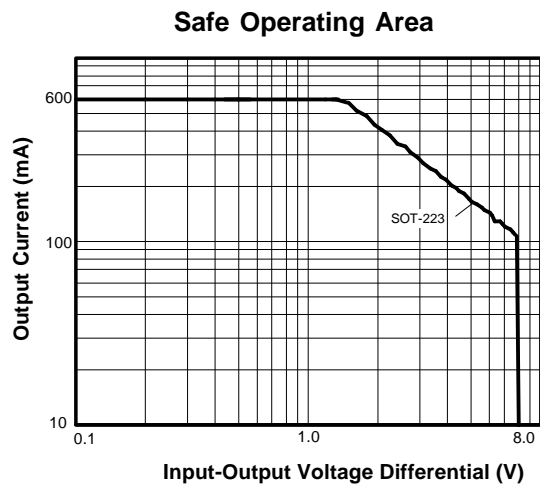
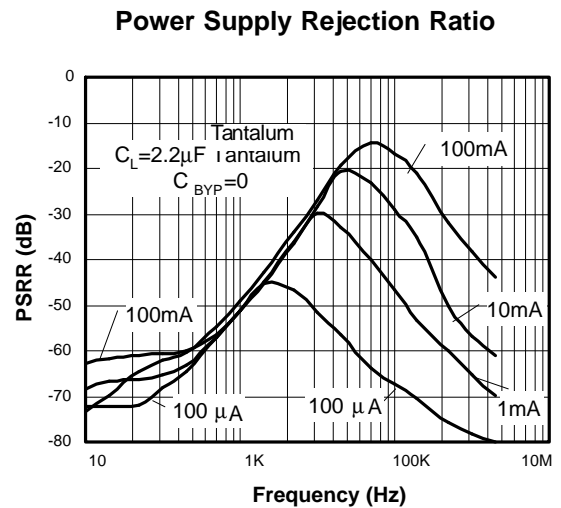
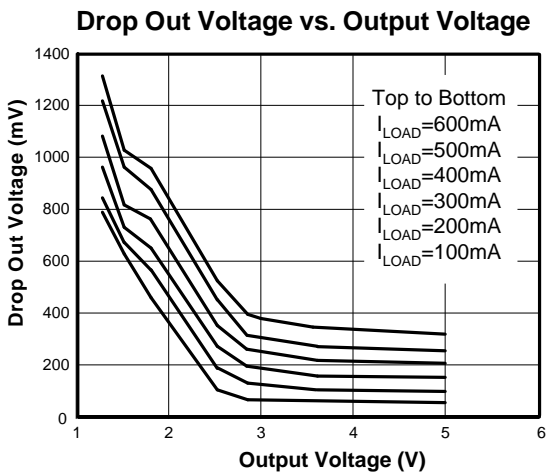
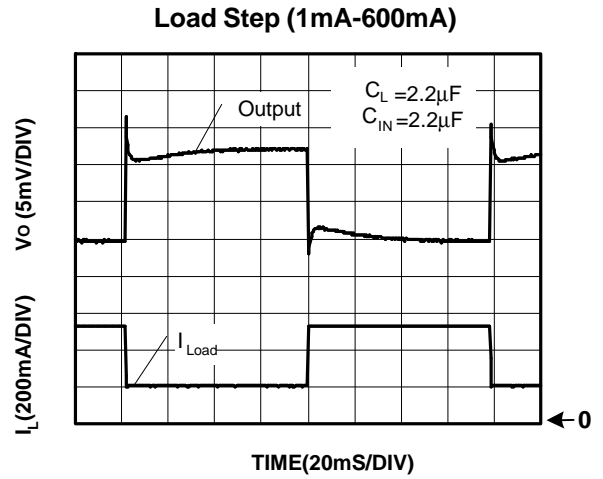
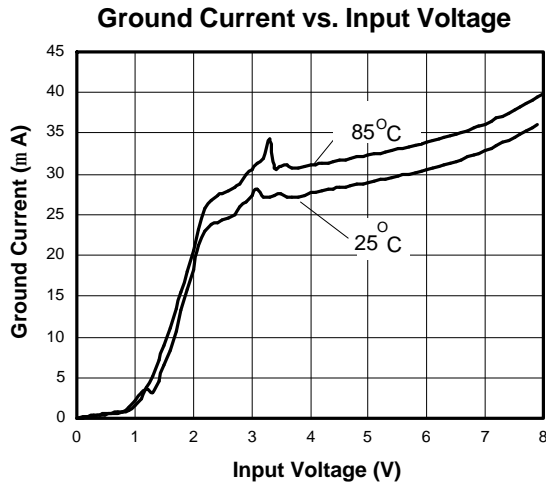
The AME8810 switches from voltage mode to current mode when the load exceeds the rated output current. This prevents over-stress. The AME8810 also incorporates current foldback to reduce power dissipation when the output is short circuited. This feature becomes active when the output drops below 0.8 volts, and reduces the current flow by 65%. Full current is restored when the voltage exceeds 0.8 volts.

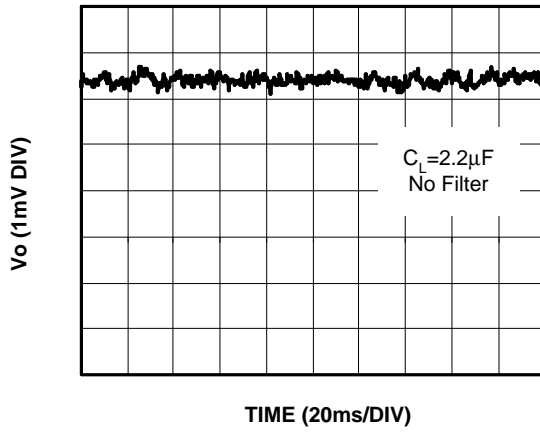
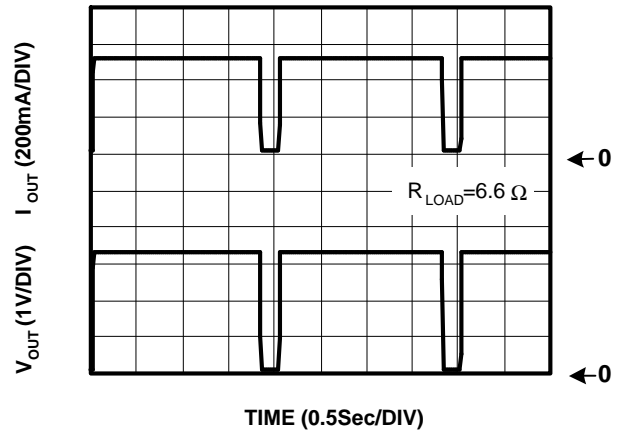
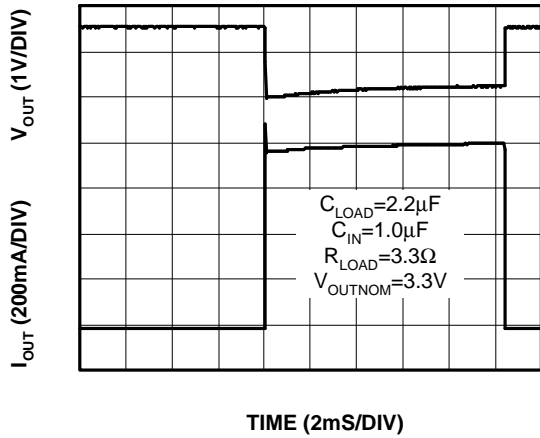
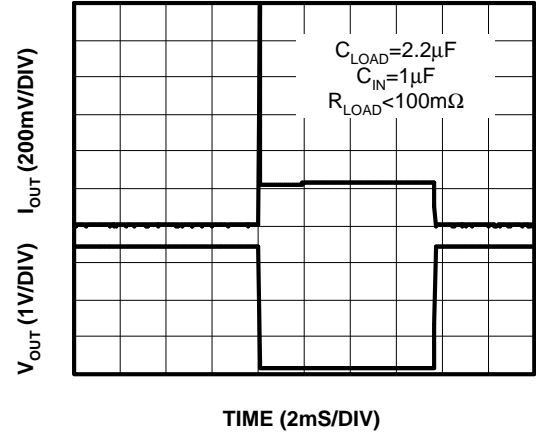
■ External Capacitors

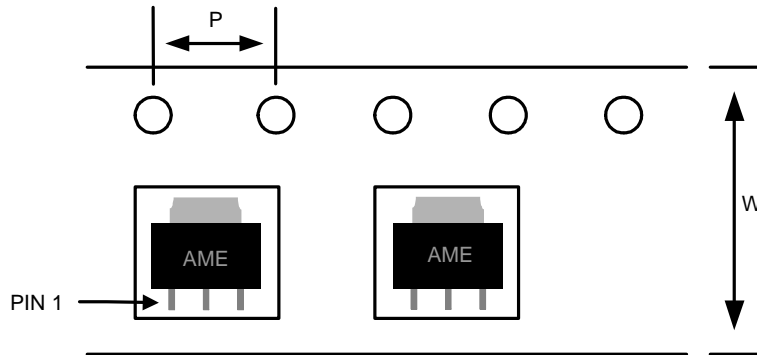
The AME8810 is stable with an output capacitor to ground of 2.2 μ F or greater. Ceramic capacitors have the lowest ESR, and will offer the best AC performance. Conversely, Aluminum Electrolytic capacitors exhibit the highest ESR, resulting in the poorest AC response. Unfortunately, large value ceramic capacitors are comparatively expensive. One option is to parallel a 0.1 μ F ceramic capacitor with a 10 μ F Aluminum Electrolytic. The benefit is low ESR, high capacitance, and low overall cost.

A second capacitor is recommended between the input and ground to stabilize V_{in} . The input capacitor should be at least 0.1 μ F to have a beneficial effect.

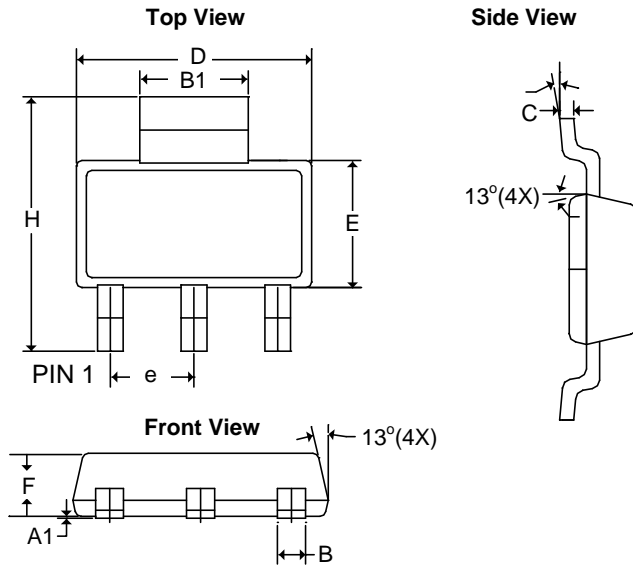
All capacitors should be placed in close proximity to the pins. A "Quiet" ground termination is desirable. This can be achieved with a "Star" connection.

■ Characterization Curve(For reference only)


■ Characterization Curve(For reference only)
Noise Measurement

Overtemperature Shutdown

Current Limit Response

Short Circuit Response


■ Tape and Reel Dimension
SOT-223

Carrier Tape, Number of Components Per Reel and Reel Size

Package	Carrier Width (W)	Pitch (P)	Part Per Full Reel	Reel Size
SOT-223	12.0±0.1 mm	4.0±0.1 mm	2500pcs	330±1 mm

■ Package Dimension
SOT-223


SYMBOLS	MILLIMETERS		INCHES	
	MIN	MAX	MIN	MAX
A ₁	0.01	0.10	0.0004	0.0039
B	0.60	0.84	0.0236	0.0330
B ₁	2.90	3.15	0.1140	0.1240
C	0.24	0.38	0.0094	0.0150
D	6.30	6.71	0.2480	0.2640
E	3.30	3.71	0.1299	0.1460
e	2.30 BSC		0.0906 BSC	
F	1.40	1.80	0.0551	0.0709
H	6.70	7.30	0.2638	0.2874
q	0°	10°	0°	10°



www.ame.com.tw
E-Mail: sales@ame.com.tw

Life Support Policy:

These products of AME, Inc. are not authorized for use as critical components in life-support devices or systems, without the express written approval of the president of AME, Inc.

AME, Inc. reserves the right to make changes in the circuitry and specifications of its devices and advises its customers to obtain the latest version of relevant information.

© AME, Inc. , November 2008

Document: 2006/2095-DS8810-A.05

Corporate Headquarter

AME, Inc.

2F, 302 Rui-Guang Road, Nei-Hu District
Taipei 114, Taiwan.

Tel : 886 2 2627-8687

Fax: 886 2 2659-2989