

## ■ General Description

The AME6603 is an integrated power switch for self-powered and bus-powered Universal Serial Bus (USB) application.

The AME6603 has several protection features such as current limiting and thermal shutdown to prevent catastrophic switch failure caused by increasing power dissipation when continuous heavy loads or short circuit occurs. A built-in P-channel MOSFET used for power MOS has superior  $R_{on}$  and easy control characteristics. The output reverse-current protection turns off the MOSFET switch whenever occurs the unexpected continuously reverse current.

$\overline{FLAG}$  pin is an open-drain output report overcurrent or over-temperature event and has typical 8ms deglitch timeout period.

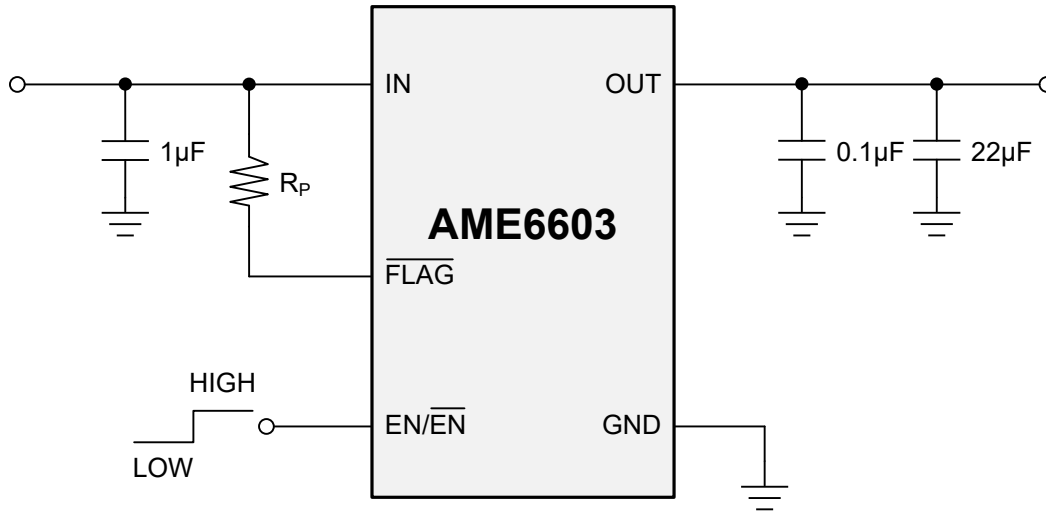
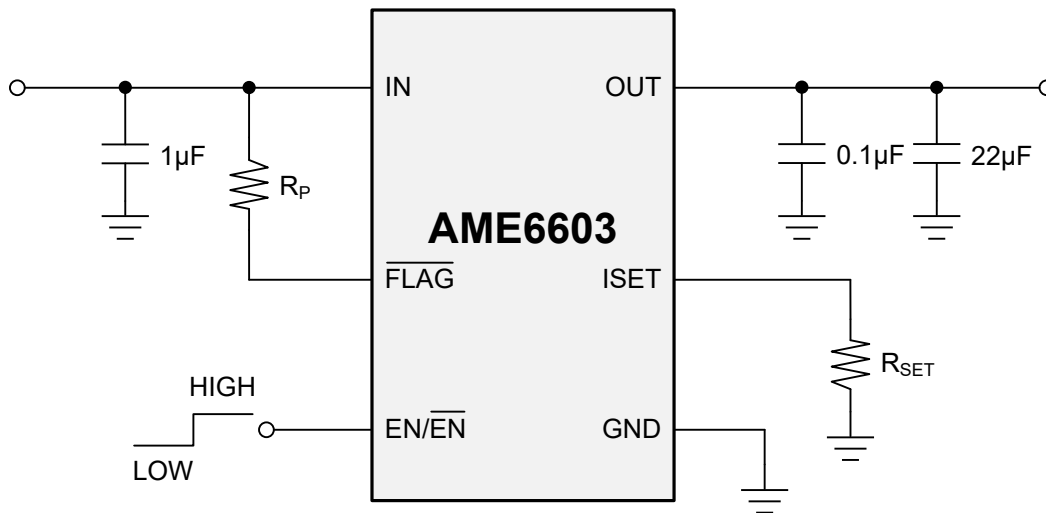
AME6603 is available in SOT-25, SOT-26, MSOP-8 packages.

## ■ Features

- Operating Range: 2.7V to 5.5V
- 80m $\Omega$  High-Side MOSFET
- Available with Current Limits with Foldback
- Active High or Active Low Version is Available
- 1.6ms Rise Time at  $V_{IN} = 3.3V$  Condition
- Fast Short-Circuit Response: 1.5 $\mu$ S (Typ.)
- Under Voltage Lockout, Over-Current, Output-Voltage and Thermal Protection
- Deglitched Open-Drain Flag Output ( $\overline{FLAG}$ )
- UL Certification-File No. E529690
- RoHS, Halogen Free and TSCA Compliance

## ■ Application

- Laptops, Desktops, AIO
- Set-Top Boxes
- LCD TVs & Monitors
- Residential Gateways
- e-Readers, Printers, Hubs
- Docking, HUB

**■ Typical Application Schematic**
**Fix Mode**

**ADJ Mode**




**www.ame.com.tw**  
**E-mail: sales@ame.com.tw**

Life Support Policy:

These products of AME, Inc. are not authorized for use as critical components in life-support devices or systems, without the express written approval of the president of AME, Inc.

AME, Inc. reserves the right to make changes in the circuitry and specifications of its devices and advises its customers to obtain the latest version of relevant information.

© AME, Inc. , April 2026

Document: P007-DS6603-A.01

**Corporate Headquarter**  
**AME, Inc.**

8F-1, 12, WenHu St., Nei-Hu Dist.,

Taipei 114, Taiwan..

Tel: 886 2 2627-8687

Fax: 886 2 2659-2989