

■ General Description

The AME8892 is ultra-low Quiescent current (typ.: 300nA) is designed specifically for the applications requiring extremely low quiescent current. The LDO could increase battery life through maintaining low quiescent current consumption even in drop-out mode. AME8892 also provides OCP, OTP protection function. It's available in the SOT-25 & DFN-4A (1.0x1.0x0.4mm) package.

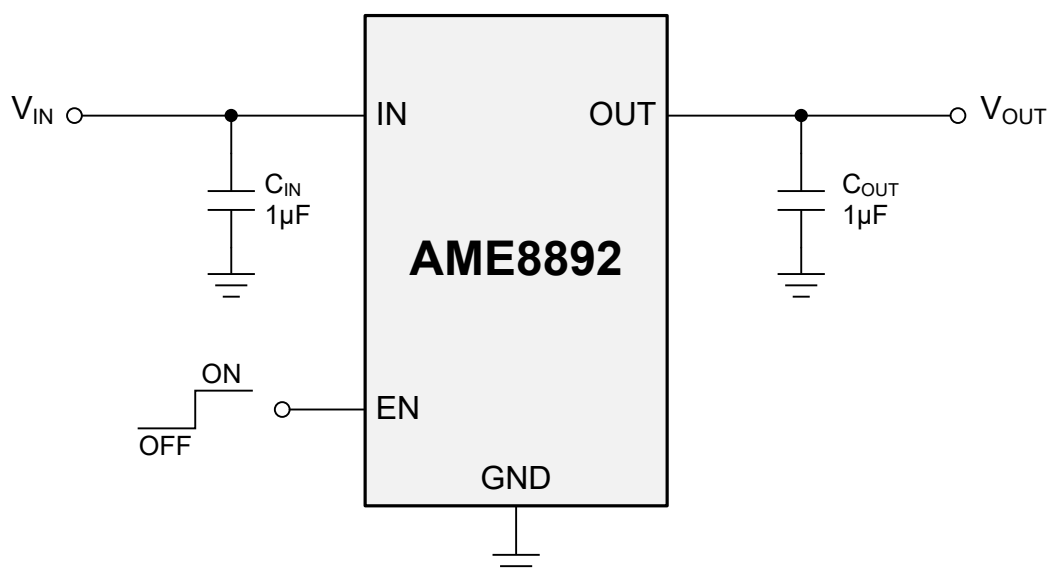
■ Features

- Input Voltage Range: 2.5V to 6.0V
- Output Voltage Range: 1.5V to 4.5V
- Output Voltage Tolerance: $\pm 2\%$
- Low Quiescent Current: 300nA (typ.)
- Dropout Voltage: 500mV (typ.) @300mA
- Over Temperature Protection
- Internal Short-Circuit Current Limit
- RoHS, Halogen Free & TSCA Compliance

■ Application

- Portable Device, Tablet and Smartphone
- Camera, VCR and Car Dashboard Camera
- Communications and Infrastructure
- AR and VR Application
- FA Equipment and Smart Meter

■ Typical Application Schematic





www.ame.com.tw
E-mail: sales@ame.com.tw

Life Support Policy:

These products of AME, Inc. are not authorized for use as critical components in life-support devices or systems, without the express written approval of the president of AME, Inc.

AME, Inc. reserves the right to make changes in the circuitry and specifications of its devices and advises its customers to obtain the latest version of relevant information.

© AME, Inc. , April 2026

Document: A050-DS8892-B.01

Corporate Headquarter
AME, Inc.

8F-1, 12, WenHu St., Nei-Hu Dist.,

Taipei 114, Taiwan..

Tel: 886 2 2627-8687

Fax: 886 2 2659-2989