

■ General Description

AME5905 is a wide input range, high-efficiency and high frequency DC-to-DC step-down switching regulator, capable of delivering up to 3A of output current. It adopts an adaptive COT control scheme that enables very fast transient response and provides a very smooth transition when the output varies from light load to heavy load.

The adaptive COT control also maintains a constant switching frequency across line and load. The IC can stand off input voltage as high as 19V, making it an ideal solution for industrial applications such as LCD TV, Set Top Box, Portable TV, etc.

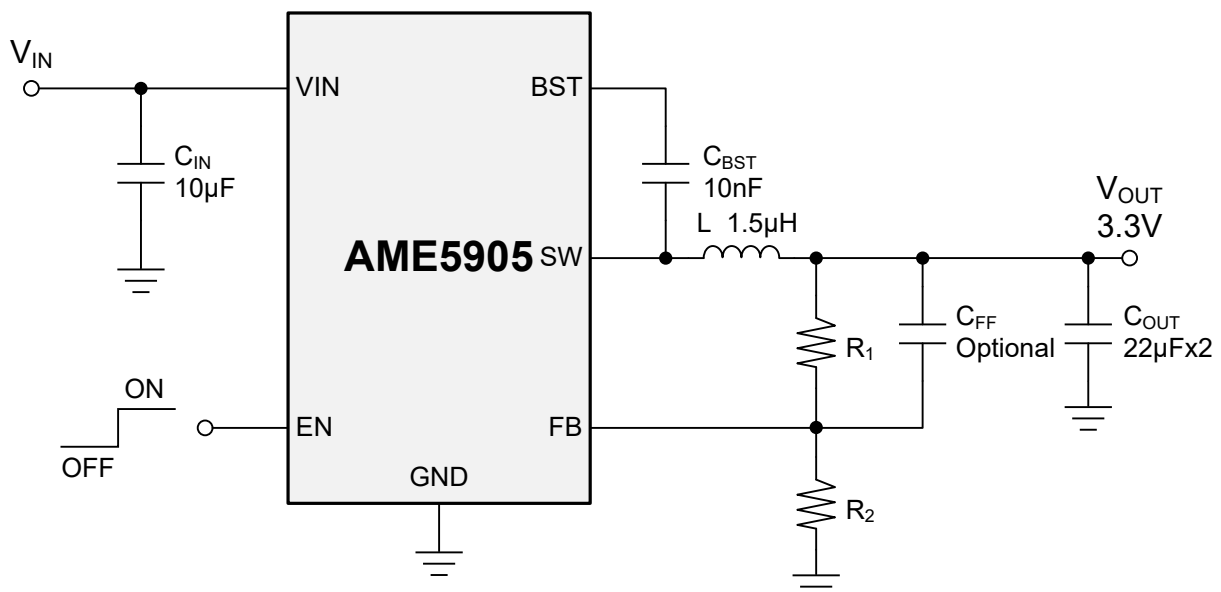
■ Features

- Wide Input Range: 4.5V to 16V
- Adaptive COT Control
- Ultra-Fast Load Transient Response
- Forced PWM Mode
- Capable of Delivering 3A
- Low $R_{DS(ON)}$ Internal Power FETs
- No External Compensation Needed
- Thermal Shutdown and UVLO
- Available in SOT-563 Package
- Pb Free, RoHS and REACH Compliant
- Halogen Free and “Green” Device

■ Application

- LCD TV
- Set Top Box
- xDSL Modem

■ Typical Application Schematic





www.ame.com.tw
E-mail: sales@ame.com.tw

Life Support Policy:

These products of AME, Inc. are not authorized for use as critical components in life-support devices or systems, without the express written approval of the president of AME, Inc.

AME, Inc. reserves the right to make changes in the circuitry and specifications of its devices and advises its customers to obtain the latest version of relevant information.

© AME, Inc. , June 2026

Document: C010-DS5905-A.01

Corporate Headquarter
AME, Inc.

8F-1, 12, WenHu St., Nei-Hu Dist.,

Taipei 114, Taiwan..

Tel: 886 2 2627-8687

Fax: 886 2 2659-2989